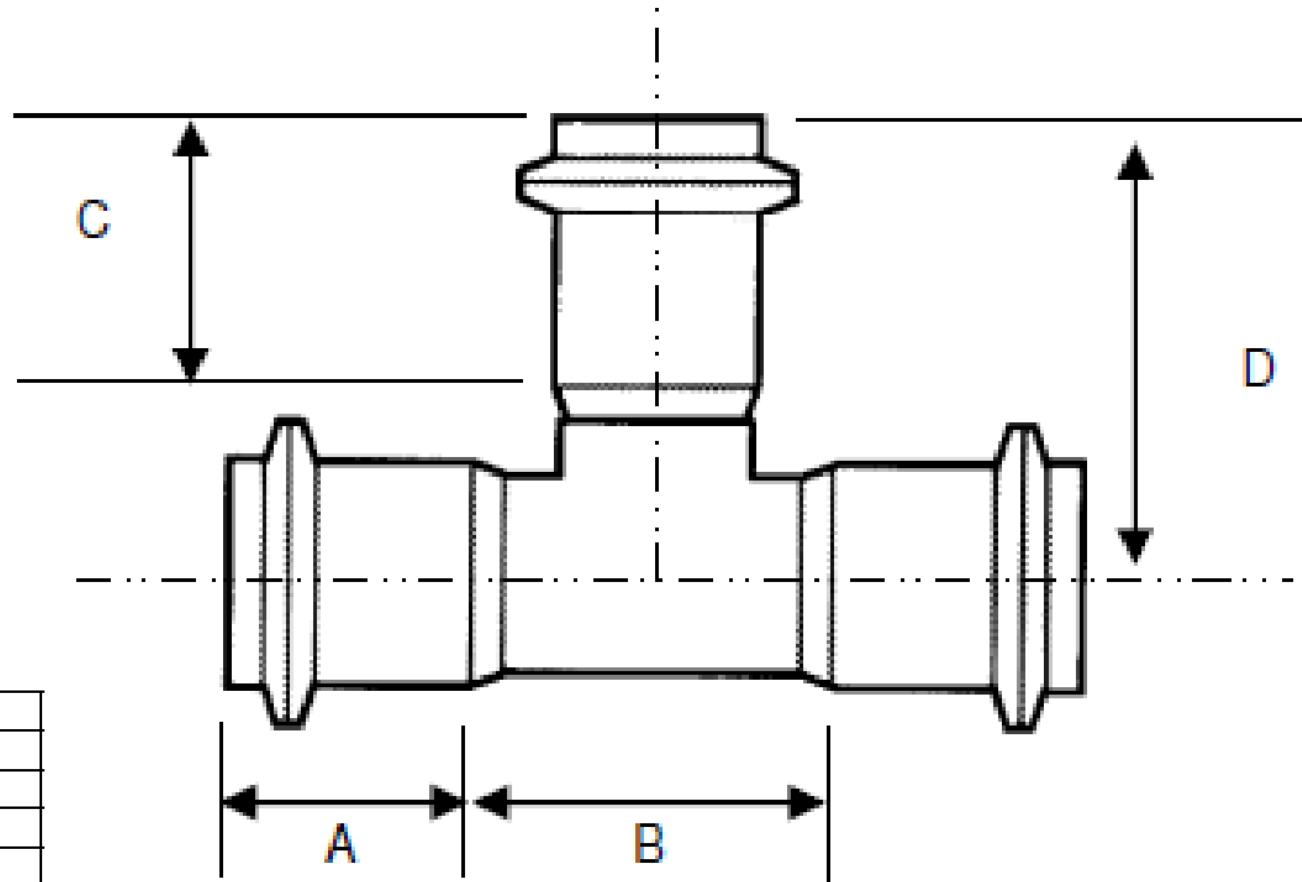


SIGNED DRAWINGS MUST ACCOMPANY PURCHASE ORDER OR DIMENSIONS OF FITTINGS WILL NOT BE GUARANTEED



SIZE	10X4	18X4
A	6	9.25
B	7.5	9.25
C	4.5	4.5
D	11	15.25

DISCLAIMER - PLEASE READ

- DUE TO VARIOUS FACTORS AFFECTING PRODUCTION, ALL DIMENSIONS ARE APPROXIMATE
- DIMENSIONS AND APPEARANCE ARE SUBJECT TO CHANGE WITHOUT NOTICE DUE TO DESIGN OR PRODUCTION MONIFICATIONS
- ANGLE TOLERANCE FOR ELBOWS IS +/- 2 DEGREES.
- ALL OTHER DIMENSIONS ARE TO TOLERANCES OF +/- 1"
- ALL FITTINGS ARE SUBJECT TO P.T.I. "STANDARD TERMS AND CONDITIONS"

ROYAL Building Products

56400 Mound Road, Shelby Township, MI 48316
Phone (586)781-2700 Fax (586)781-0888

**STRAIGHT TEE WITH DWV BRANCH
SDR26 GASKETED SEWER
18"x18"x4" GxGxDWV G**

PRINTED COPIES ARE FOR REFERENCE ONLY

DATE: 5/28/2014 DRAWN BY: BCS

DATE: 5/28/2014 CHECKED BY: RBP

H1118-4.S

CUSTOMER