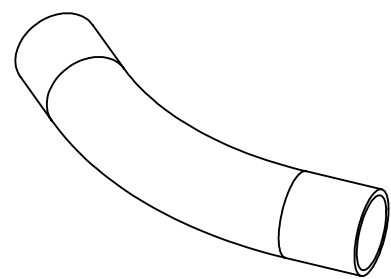
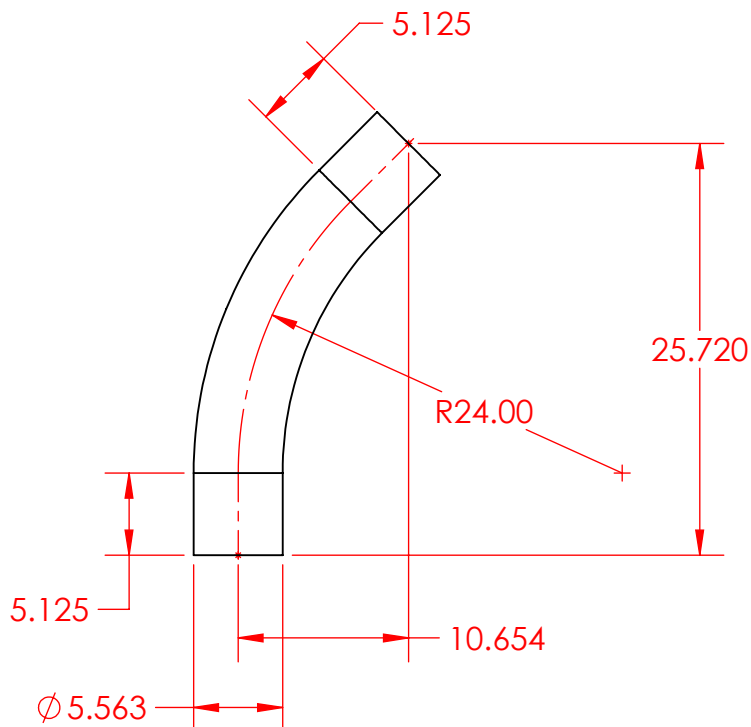


SIGNED DRAWINGS MUST ACCOMPANY PURCHASE ORDER OR DIMENSIONS OF FITTINGS WILL NOT BE GUARANTEED



DISCLAIMER - PLEASE READ

- DUE TO VARIOUS FACTORS AFFECTING PRODUCTION, ALL DIMENSIONS ARE APPROXIMATE
- DIMENSIONS AND APPEARANCE ARE SUBJECT TO CHANGE WITHOUT NOTICE DUE TO DESIGN OR PRODUCTION MODIFICATIONS
- ANGLE TOLERANCE FOR ELBOWS IS +/- 2 DEGREES.
- ALL OTHER DIMENSIONS ARE TO TOLERANCES OF +/- 1"
- ALL FITTINGS ARE SUBJECT TO P.T.I. "STANDARD TERMS AND CONDITIONS"

PLASTIC TRENDS .COM
ROYAL Building Products
56400 Mound Road, Shelby Township, MI 48316
Phone (586)781-2700 Fax (586)781-0888

45° ELBOW (SCHEDULE 80)

5" SxS

PRINTED COPIES ARE FOR REFERENCE ONLY
DATE: 04-10-2013 DRAWN BY: MJA
DATE: 04-10-2013 CHECKED BY: PTI

E086500.M

CUSTOMER