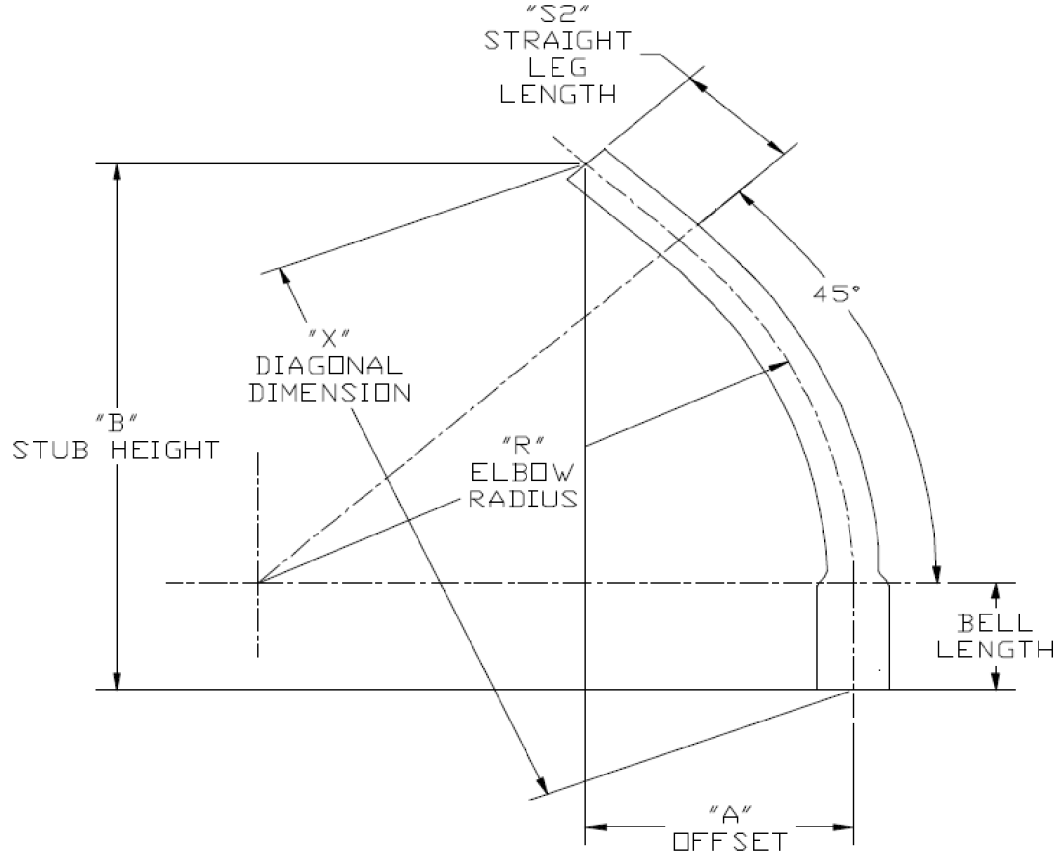


**SIGNED DRAWINGS MUST ACCOMPANY PURCHASE ORDER OR DIMENSIONS OF FITTINGS WILL NOT BE GUARANTEED**



<b>RADIUS (IN)</b>	<b>SIZE</b>	<b>1 1/2</b>
<b>24</b>	<b>LEG LENGTH</b>	<b>3.00</b>
	<b>UNBENT LENGTH</b>	<b>25.85</b>
	<b>DIAGONAL</b>	<b>24.84</b>
	<b>"A" OFFSET</b>	<b>9.50</b>
	<b>"B" STUB HEIGHT</b>	<b>22.95</b>

**DISCLAIMER - PLEASE READ**

- ACTUAL LEG LENGTHS MAY VARY FROM CALCULATED DIMENSIONS DUE TO EXPANSION OF THE PRODUCT DURING MANUFACTURING.
- DRAWING DOES NOT REFLECT ACTUAL DEGREE OF ELBOW
- ANGLE TOLERANCE FOR ELBOWS IS +/- 2 DEGREES.
- ALL OTHER DIMENSIONS ARE TO TOLERANCES OF +/- 1"
- ALL FITTINGS ARE SUBJECT TO RBP "STANDARD TERMS AND CONDITIONS"

**REF. UL 651**

**ROYAL<sup>™</sup> Building Products**

[royalbuildingproducts.com](http://royalbuildingproducts.com)

56400 Mound Road, Shelby Township, MI 48316  
Phone (800)232-5690 -- Fax (586)781-0888

**1 1/2" 45° BELL END 24" RADIUS (SPECIAL)  
PVC CONDUIT SCH 80**

**1 1/2" SxH**

PRINTED COPIES ARE FOR REFERENCE ONLY

DATE: 4/29/2015 DRAWN BY: RKS

DATE: 4/29/2015 CHECKED BY: RBP

**E08315024.M**

CUSTOMER