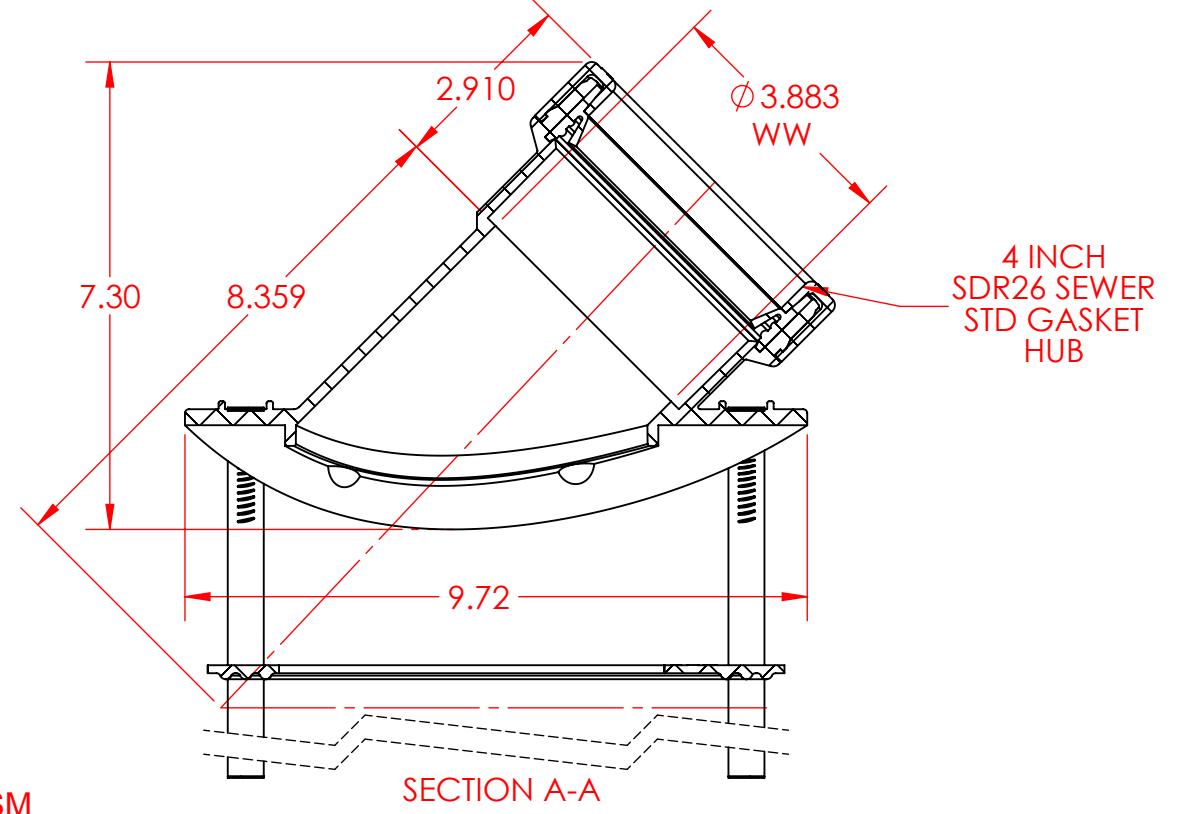
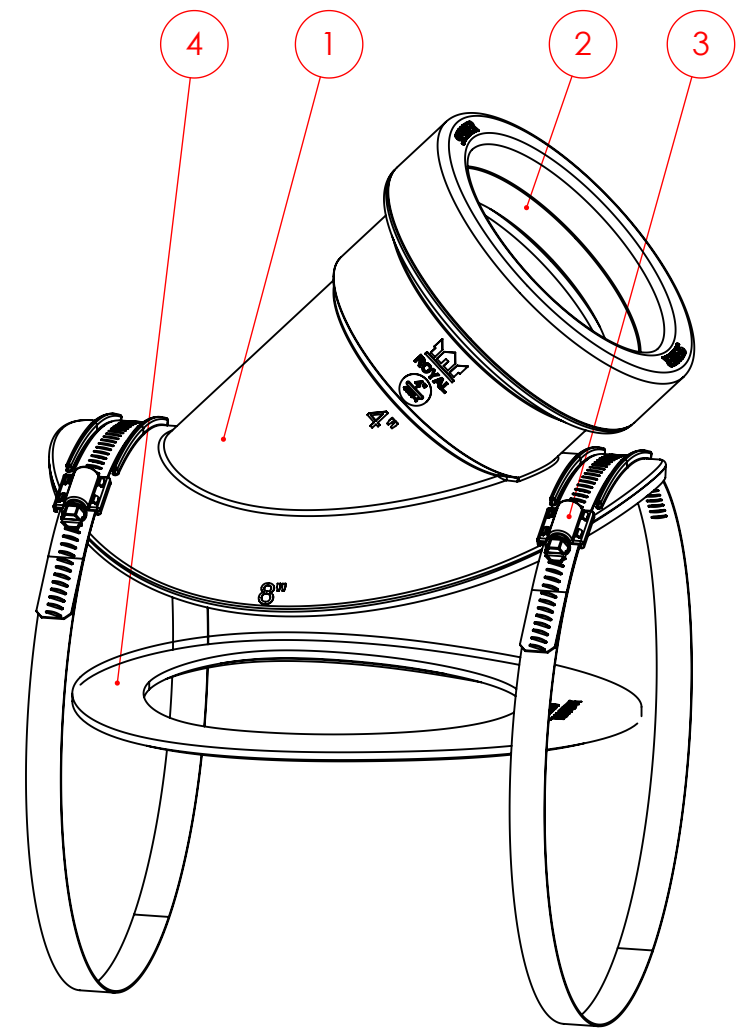
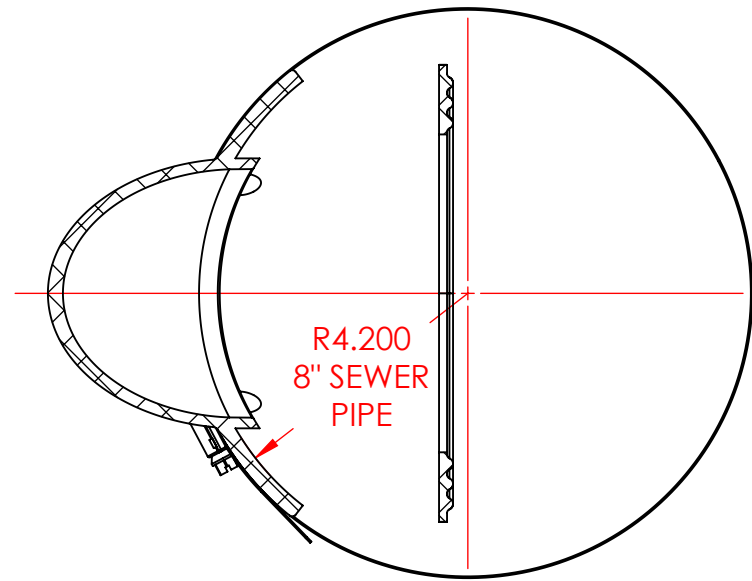
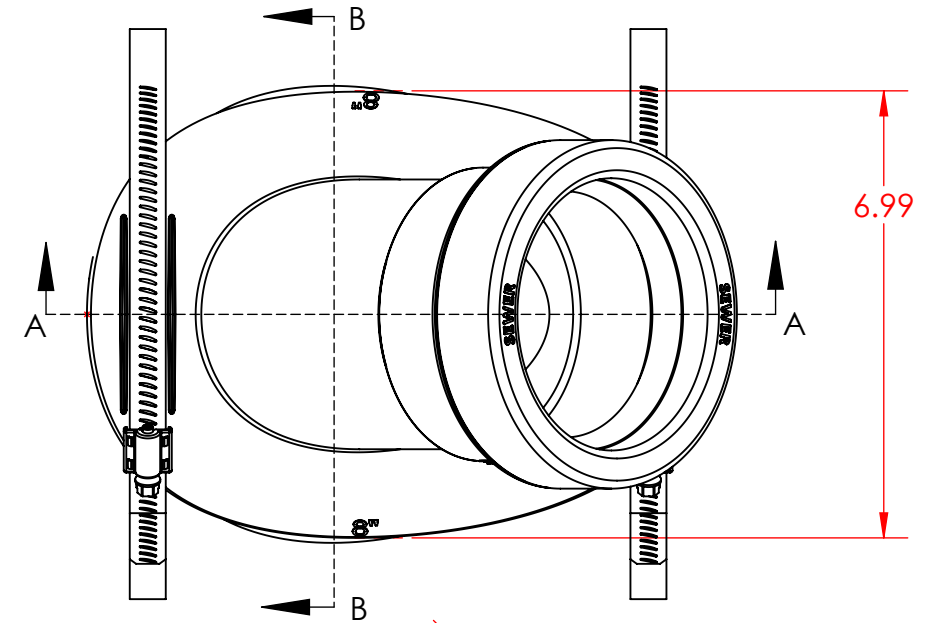


ITEM NO.	PART NUMBER	DESCRIPTION	MASTER/QTY.
1	H4308-4RB.D02	8" SDR26 SEWER REHAB SADDLE WYE BODY & SDR26 SEWER GASKETED HUB	1
2	GSK0426.D01	4" H-SERIES SDR26 SEWER GASKET	1
3	100-140-9.D01	BAND CLAMP SS 6-8	2
4	G5154.D01	GASKET FOR REHAB SADDLE WYE w/4" BRANCH	1
5	ARNG0426.D03	4" H-SERIES SDR26 SEWER GASKET SNAP RING	1



MOLD #:
F0425 ASM

REF: ASTM 3034
3D CAD DATA IS MASTER

REVISION HISTORY			
REV.	DESCRIPTION	DATE	APPROVED
D02	ADDED G5154 GASKET	01/03/2014	BCS

ROYAL Building Products

56400 Mound Road, Shelby Township, MI 48316
Phone (586)781-2700 Fax (586)781-0888

PRINTED COPIES ARE FOR REFERENCE ONLY
DATE: 5/8/2013 DRAWN BY: RSS
DATE: 5/8/2013 CHECKED BY: RBP

H4308-4R.D02

MASTER H4308-4R.D02

**8" SDR26 SEWER REHAB SADDLE WYE BODY & SDR26 SEWER GASKETED HUB
SOLVENT WELD SKIRT W/ LOCATING RIB
8" SW SADDLE x 4" GSK HUB**