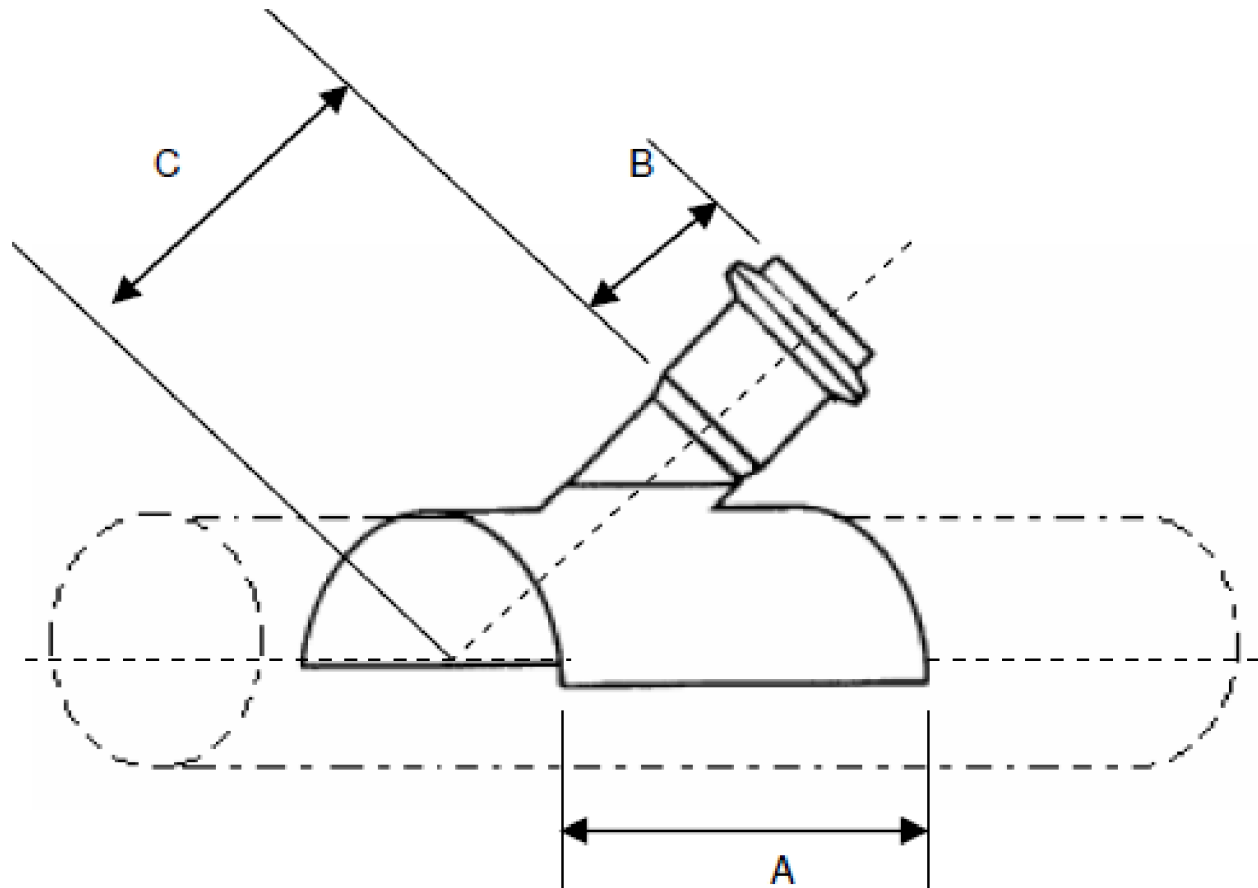


SIGNED DRAWINGS MUST ACCOMPANY PURCHASE ORDER OR DIMENSIONS OF FITTINGS WILL NOT BE GUARANTEED



SIZE	21X8	21X10
A	26	33
B	5	6
C	22.5	23.5

**DISCLAIMER - PLEASE READ**

- DIMENSIONS AND APPEARANCE ARE APPROXIMATE AND SUBJECT TO CHANGE WITHOUT NOTICE DUE TO DESIGN OR PRODUCTION MODIFICATIONS
- ANGLE TOLERANCE FOR ELBOWS IS +/- 2 DEGREES.
- ALL OTHER DIMENSIONS ARE TO TOLERANCES OF +/- 1"
- ALL FITTINGS ARE SUBJECT TO RBP "STANDARD TERMS AND CONDITIONS"

**21" SADDLE WYE SKIRTxG  
PVC SDR26 SEWER  
21"x 10" (SW SKIRT) x (G INLET)**

ROYAL Building Products

56400 Mound Road, Shelby Township, MI 48316  
Phone (586)781-2700 Fax (586)781-0888

PRINTED COPIES ARE FOR REFERENCE ONLY

DATE: 6/23/2014 DRAWN BY: RSS

DATE: 6/23/2014 CHECKED BY: RBP

H2321-10.S

CUSTOMER