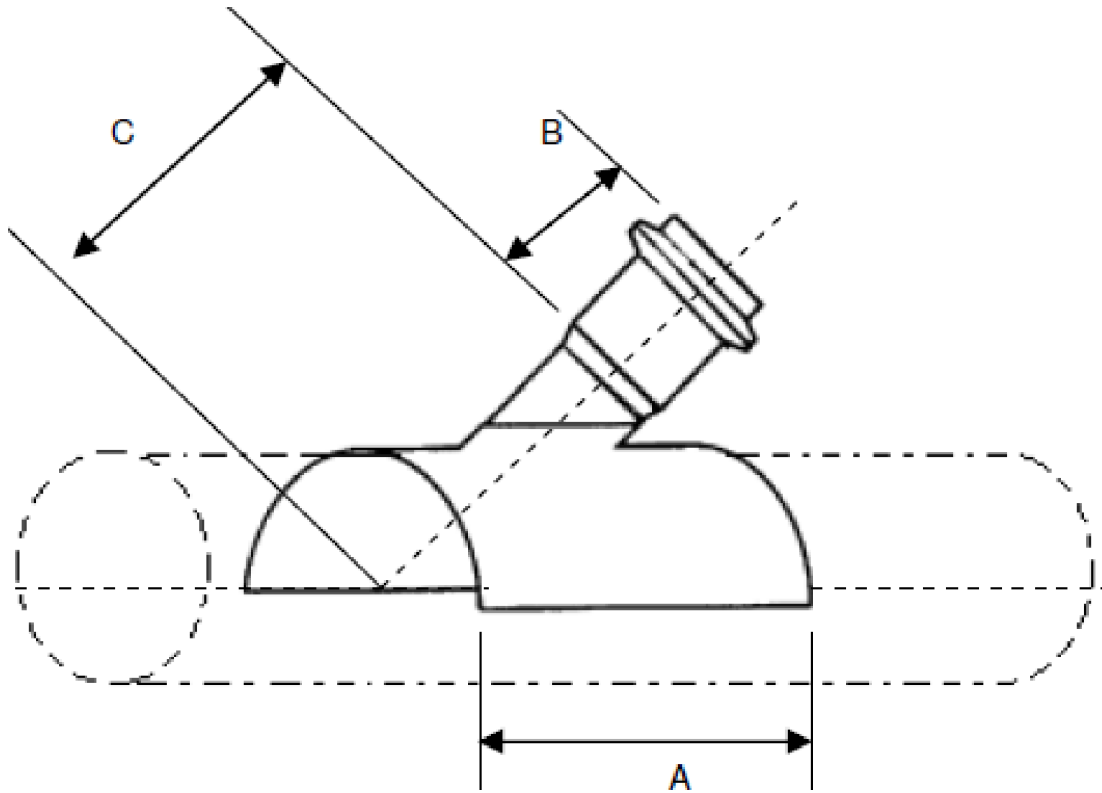


SIGNED DRAWINGS MUST ACCOMPANY PURCHASE ORDER OR DIMENSIONS OF FITTINGS WILL NOT BE GUARANTEED



| SIZE | 24X6 |
|------|------|
| A | 23 |
| B | 4.5 |
| C | 28 |

DISCLAIMER - PLEASE READ

- DIMENSIONS AND APPEARANCE ARE APPROXIMATE AND SUBJECT TO CHANGE WITHOUT NOTICE DUE TO DESIGN OR PRODUCTION MODIFICATIONS
- ANGLE TOLERANCE FOR ELBOWS IS +/- 2 DEGREES.
- ALL OTHER DIMENSIONS ARE TO TOLERANCES OF +/- 1"
- ALL FITTINGS ARE SUBJECT TO RBP "STANDARD TERMS AND CONDITIONS"

**24" SADDLE WYE WITH SS CLAMPS, SW SKIRTxG
PVC SDR35 SEWER
24"x 6" SW SKIRT x G**

 **ROYAL** Building Products

56400 Mound Road, Shelby Township, MI 48316
Phone (586)781-2700 Fax (586)781-0888

PRINTED COPIES ARE FOR REFERENCE ONLY

DATE: 6/26/2014 DRAWN BY: RSS

DATE: 6/26/2014 CHECKED BY: RBP

L2324-6.S

CUSTOMER