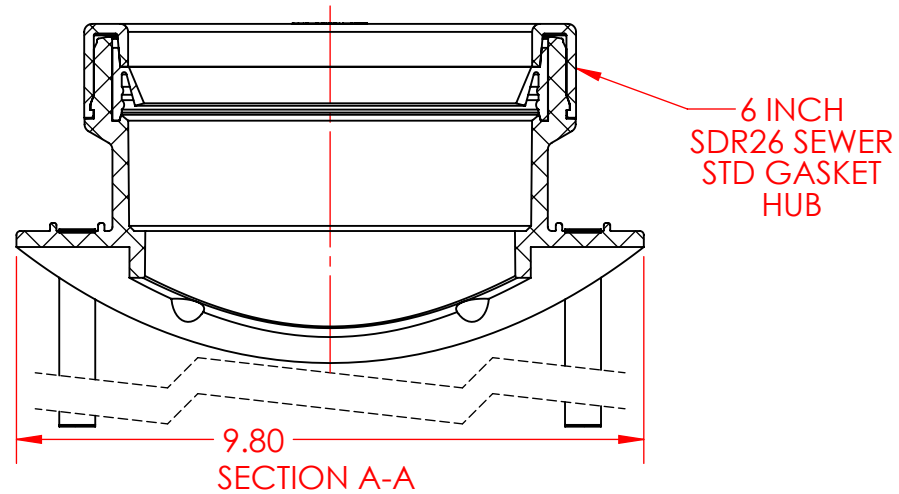
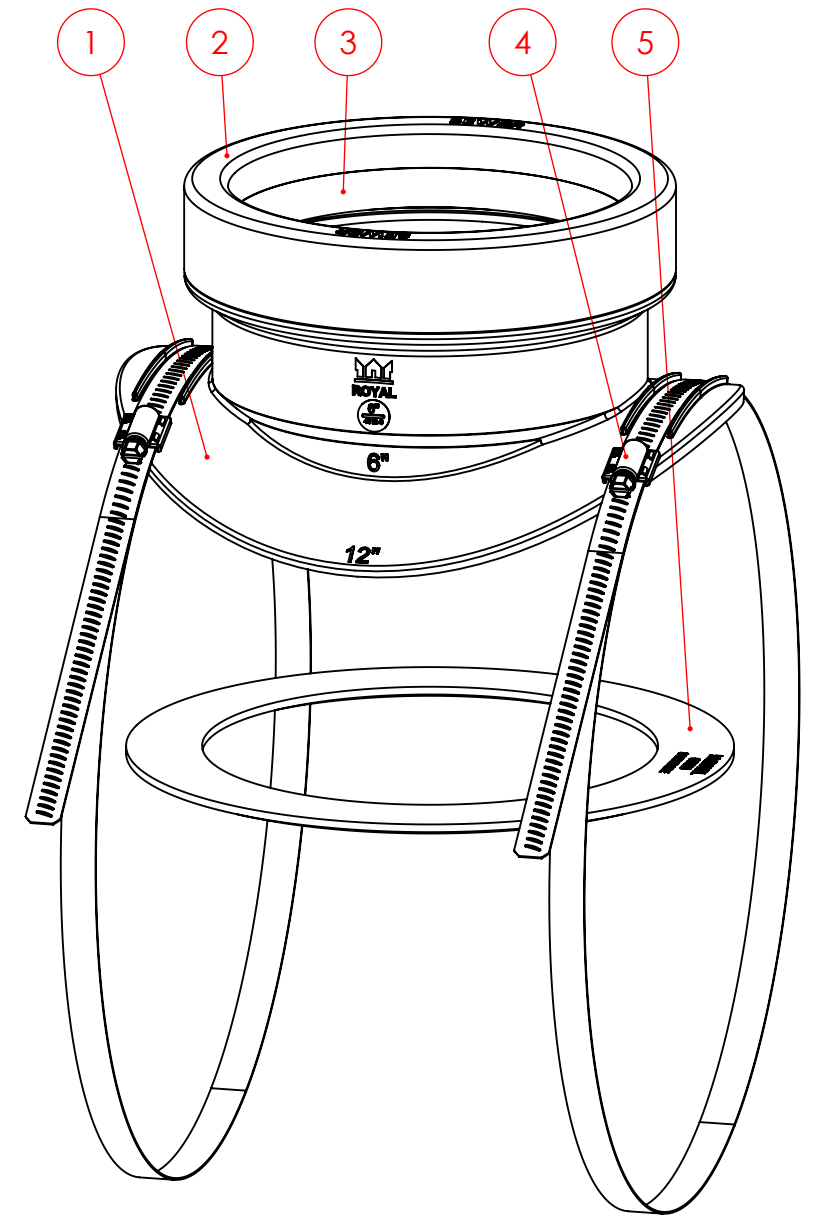
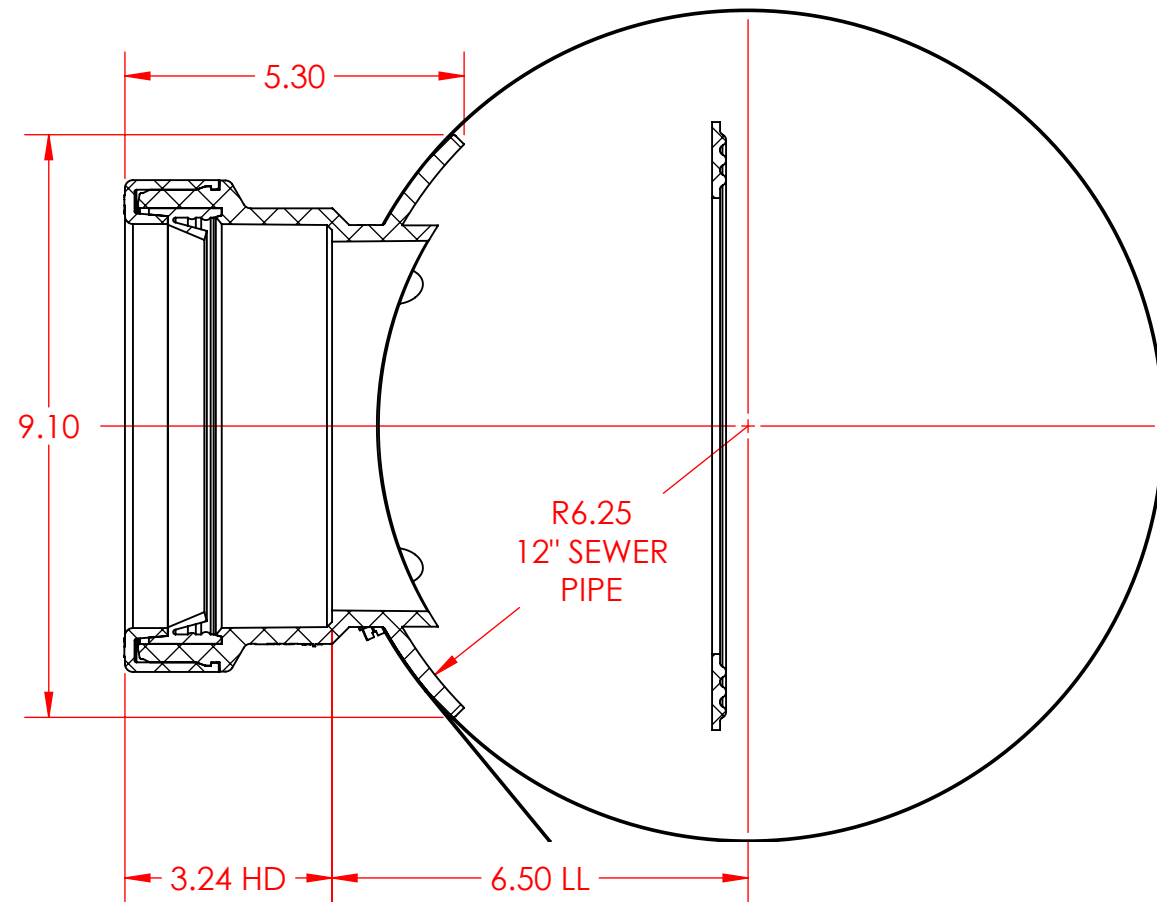
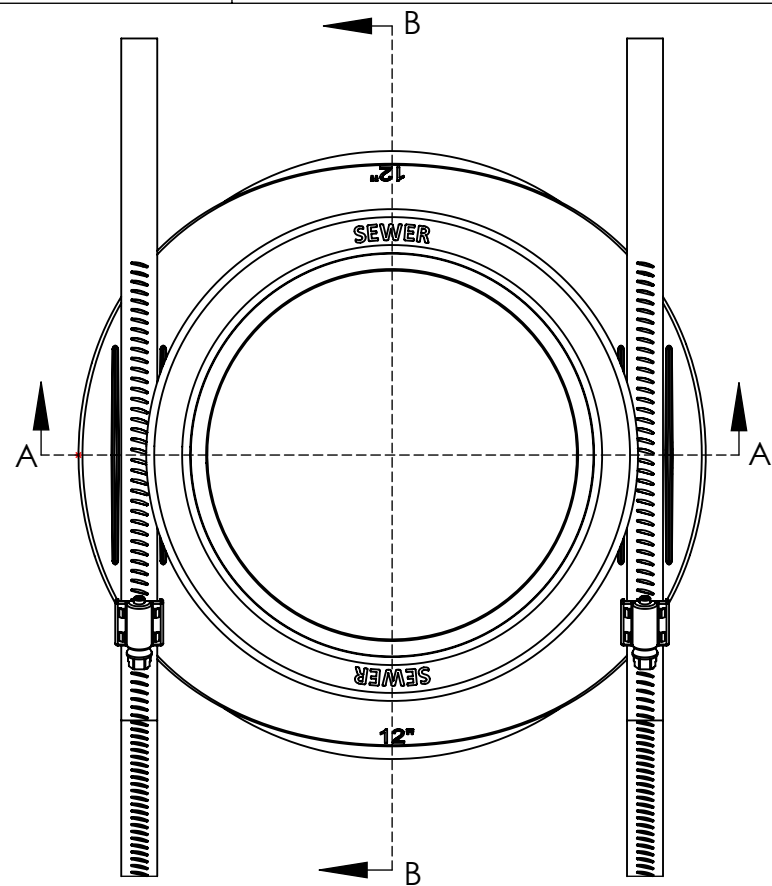


ITEM NO.	PART NUMBER	DESCRIPTION	MASTER/QTY.
1	H4112-6RB.D02	12" SDR26 SEWER REHAB SADDLE TEE & SDR26 SEWER GASKETED HUB	1
2	ARNG0626.D04	6" H-SERIES SDR26 SEWER GASKET SNAP RING	1
3	GSK0626.D01	6" H-SERIES SDR26 SEWER GASKET	1
4	100-230-9.D01	BAND CLAMP SS 10-12	2
5	G5106.D01	GASKET FOR REHAB SADDLE TEE w/6" BRANCH	1



MOLD #:
F0423 ASM

REF: ASTM 3034
3D CAD DATA IS MASTER

ROYAL Building Products

56400 Mound Road, Shelby Township, MI 48316
Phone (586)781-2700 Fax (586)781-0888

**12" SDR26 SEWER REHAB SADDLE TEE & SDR26 SEWER GASKETED HUB
SOLVENT WELD SKIRT w/LOCATING RIB**

PRINTED COPIES ARE FOR REFERENCE ONLY
DATE: 5/8/2013 DRAWN BY: RSS
DATE: 5/8/2013 CHECKED BY: PTI

12" SADDLE x 6" GSK HUB

H4112-6R.D02

CUSTOMER, MASTER H4112-6R.D02