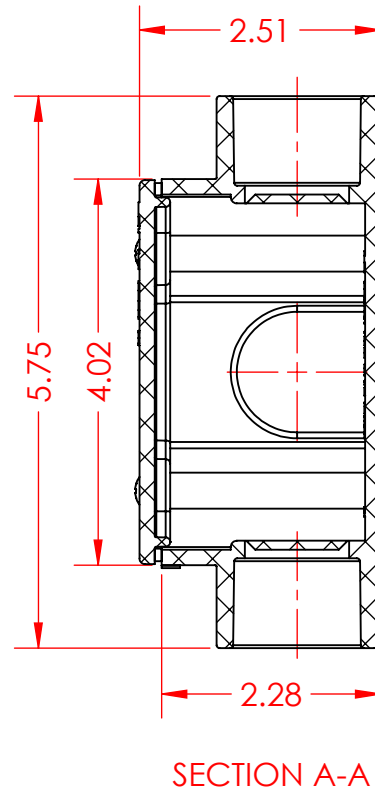
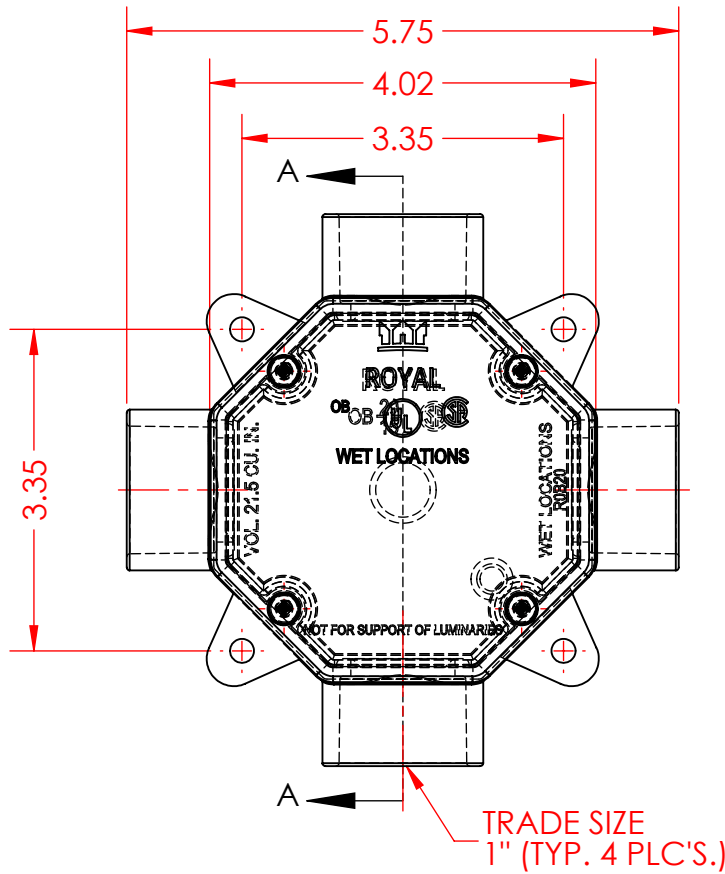
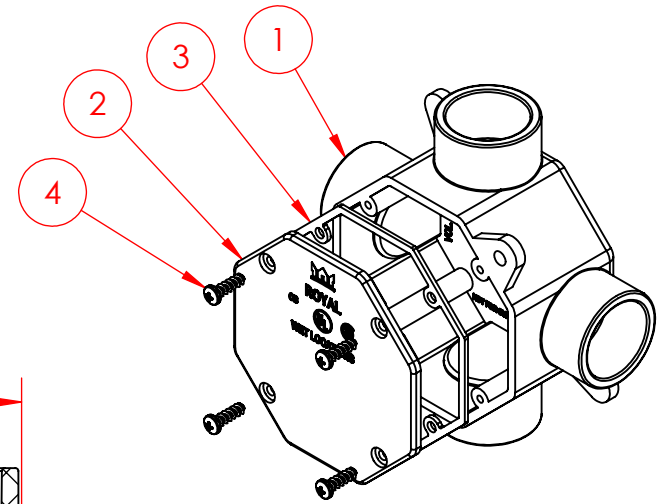


ITEM NO.	PART NUMBER	DESCRIPTION	QTY.
1	E028200S.D01	200 SERIES OCTAGONAL BOX BODY	1
2	EOBC44S.D01	4" OCTAGON BOX COVER	1
3	EOBG400.D01	4" GASKET OCTAGON BOX	1
4	ASPPHILO1032625	SCRW# 10x.625" PH PHILHILO	4



NOTE: CAD DATA IS MASTER



REF. CSA - C22.2 & UL514

PLASTIC TRENDS.COM
ROYAL Building Products

56400 Mound Road, Shelby Township, MI 48316
 Phone (586)781-2700 Fax (586)781-0888

PRINTED COPIES ARE FOR REFERENCE ONLY

DATE: 1/17/2013

DRAWN BY: JRB

DATE:

CHECKED BY: PTI

E028200.D01

SHEET SCALE 1:2

4" x 2" OCTAGON BOX ASS'Y. w/4-WAY 1" HUBS

TRADE SIZE: 1"

MOLD #:
ASS'Y.