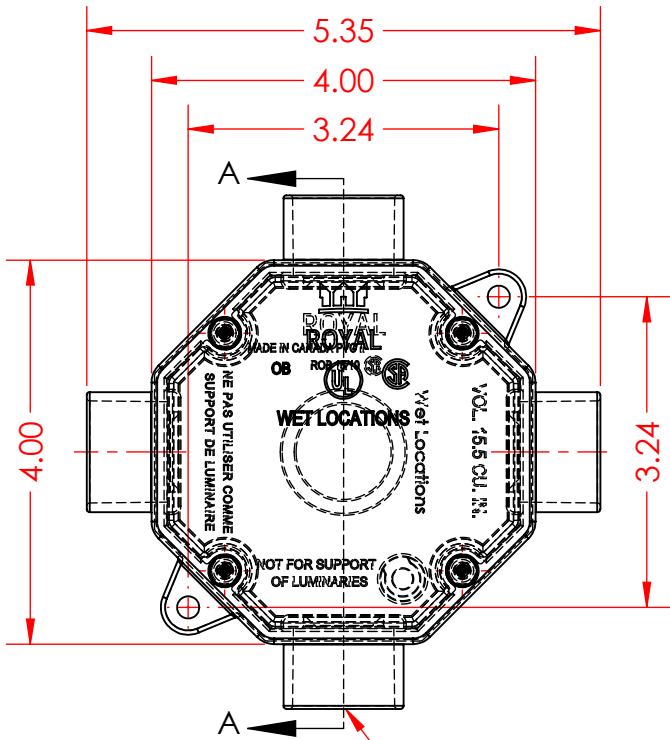
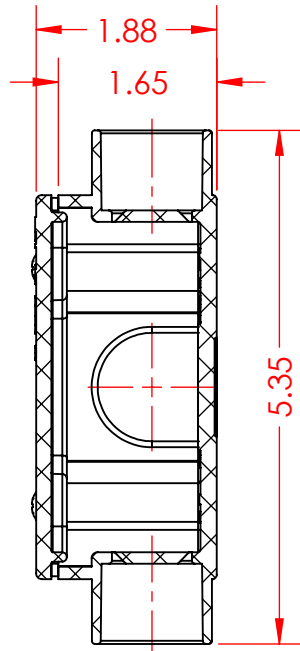


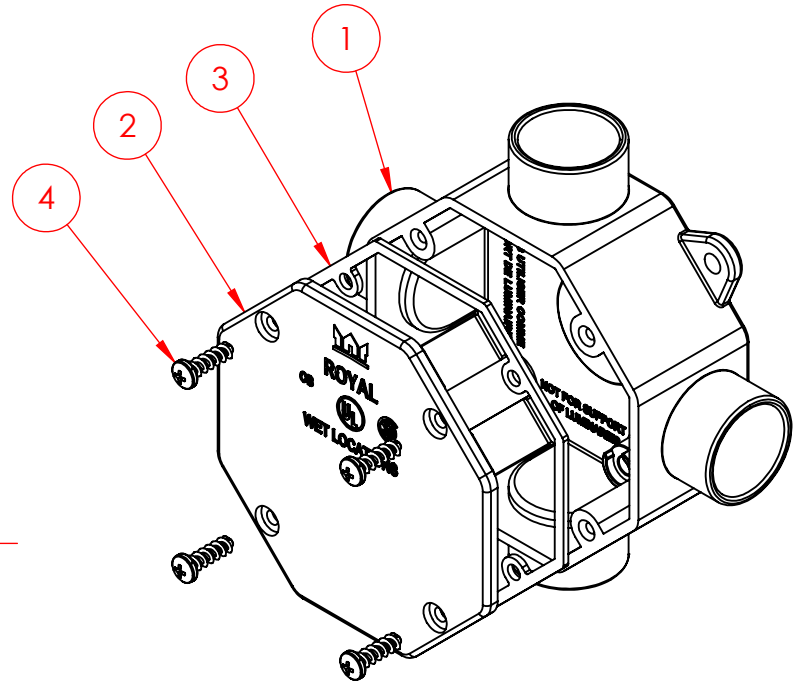
ITEM NO.	PART NUMBER	DESCRIPTION	QTY.
1	E028150S.D01	150 SERIES OCTAGONAL BOX BODY	1
2	EOBC44S.D01	4" OCTAGON BOX COVER	1
3	EOBG400.D01	4" GASKET OCTAGON BOX	1
4	ASPPHILO1032625	SCRW#10x.625" PH PHILHILO	4



TRADE SIZE  
3/4" (4 PLC'S.)



SECTION A-A



**REF. CSA - C22.2 & UL514**

**PLASTIC TRENDS .COM**  
**ROYAL Building Products**

56400 Mound Road, Shelby Township, MI 48316  
 Phone (586)781-2700 Fax (586)781-0888

NOTE: CAD DATA IS MASTER

PRINTED COPIES ARE FOR REFERENCE ONLY

DATE: 1/17/2013

DRAWN BY: JRB

DATE:

CHECKED BY: PTI

**4" x 1-1/2" OCTAGON BOX ASS'Y. w/4-WAY 3/4" HUBS**

**TRADE SIZE: 3/4"**

**E028150.D01**

SHEET SCALE 1:2

MOLD #:  
ASS'Y.