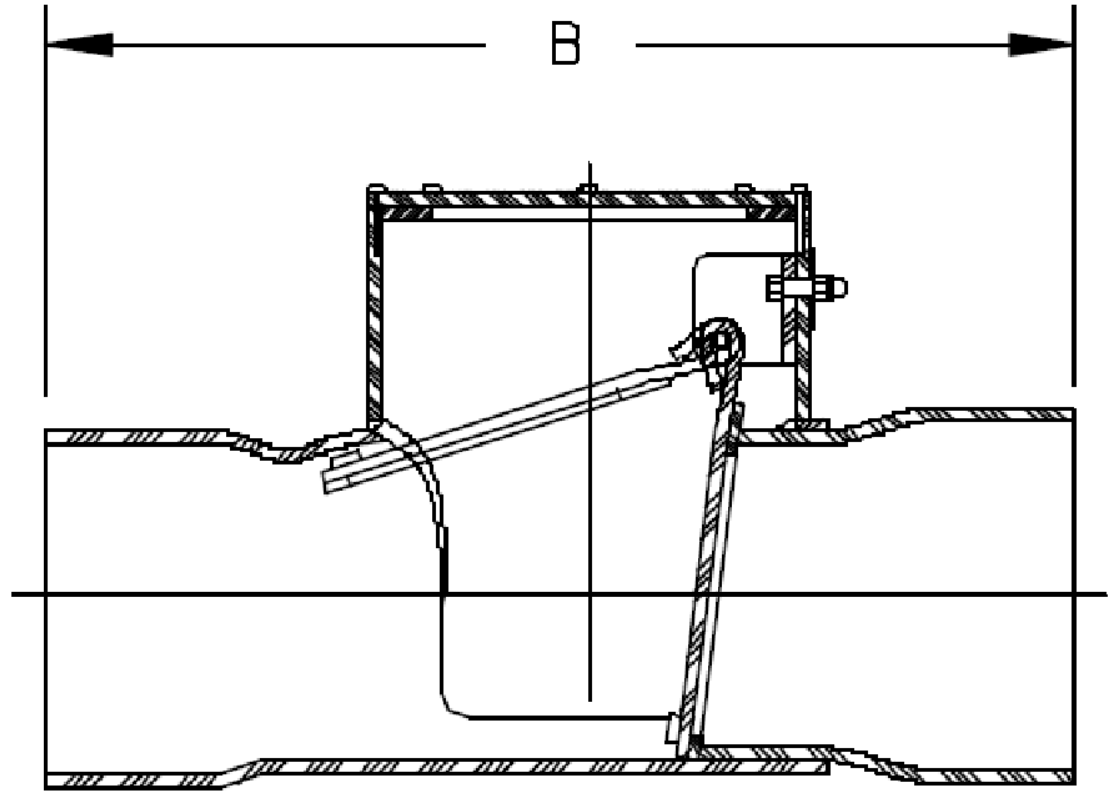
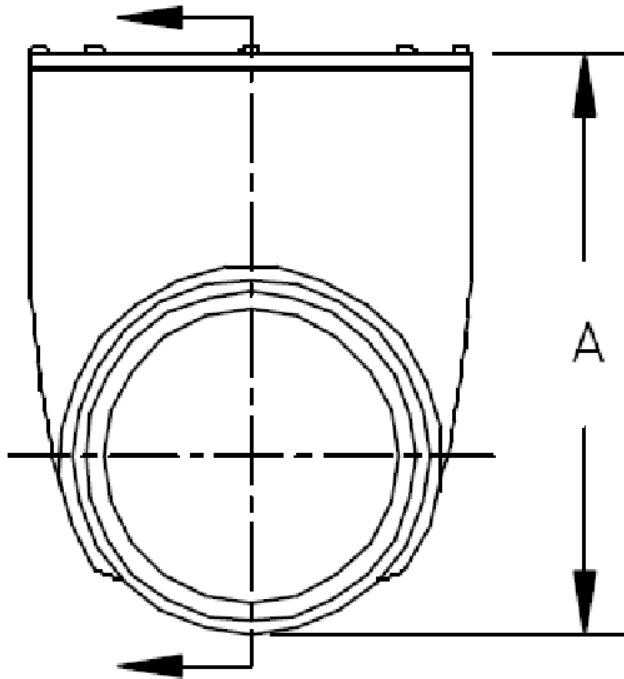


SIGNED DRAWINGS MUST ACCOMPANY PURCHASE ORDER OR DIMENSIONS OF FITTINGS WILL NOT BE GUARANTEED



SIZE	PART#	A	B
12"	79ABWV45	19.25"	33"

- FITTINGS CONFORM TO ASTM D3033 AND D3034
- BC-W LISTED LE 657
- TESTED TO CAN3 870-MB6
- ALL HARDWARE IS STAINLESS STEEL GRADE 18.8

DISCLAIMER - PLEASE READ

- DUE TO VARIOUS FACTORS AFFECTING PRODUCTION, ALL DIMENSIONS ARE APPROXIMATE
- DIMENSIONS AND APPEARANCE ARE SUBJECT TO CHANGE WITHOUT NOTICE DUE TO DESIGN OR PRODUCTION MODIFICATIONS
- ANGLE TOLERANCE FOR ELBOWS IS +/- 2 DEGREES.
- ALL OTHER DIMENSIONS ARE TO TOLERANCES OF +/- 1"
- ALL FITTINGS ARE SUBJECT TO P.T.I. "STANDARD TERMS AND CONDITIONS"

ROYAL Building Products

56400 Mound Road, Shelby Township, MI 48316
Phone (586)781-2700 Fax (586)781-0888

PRINTED COPIES ARE FOR REFERENCE ONLY

DATE: 7/10/2013 DRAWN BY: RSS

DATE: 7/10/2013 CHECKED BY: RBP

P0112.L

CUSTOMER

**12" IN-LINE BACKWATER VALVE HxH
SW SDR35 SEWER**

12"x12"