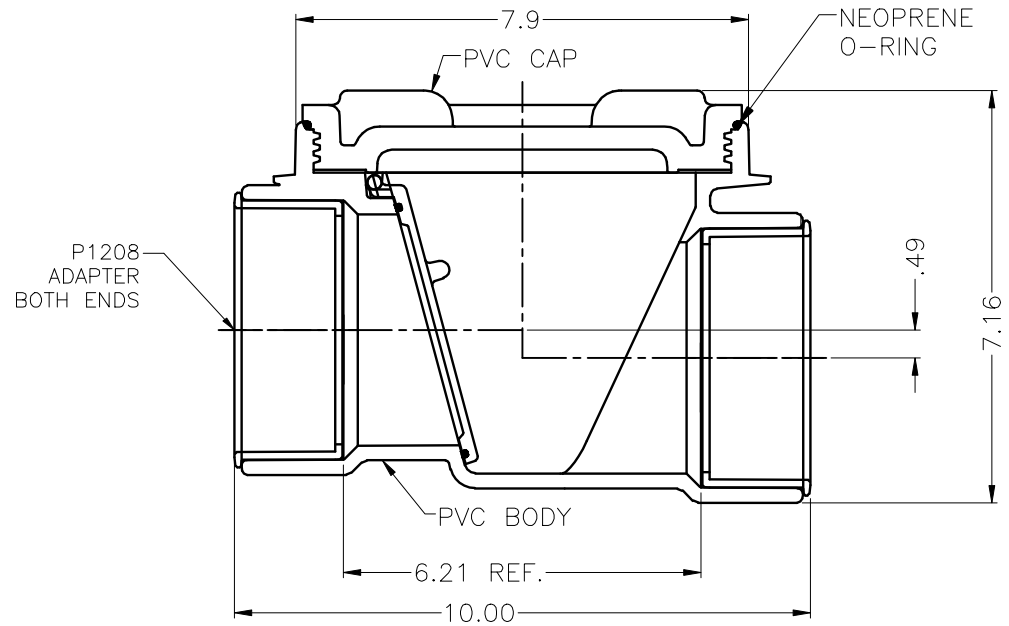


**TRUE VIEW OF FLAPPER**



A	13JUN08	RELEASED - KBL
<b>PLASTIC TRENDS</b> <small>.COM</small>		
56400 Mound Road, Shelby Township, MI 48316 Phone (586) 781-2700 Fax (586) 781-0888		
PRINTED COPIES ARE FOR REFERENCE ONLY DATE 13JUN08 BY KBL		
P0104		

**S/W SEWER BACK WATER VALVE**

**4X4**