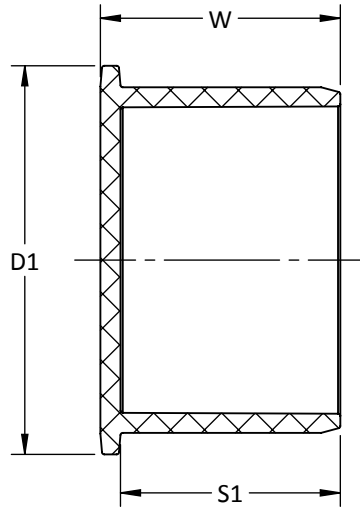


MOLDED



ASTM D2665, F1866, CSA B181.2 WHERE APPLICABLE

**SPIGOT PLUG (S)
PVC SOLVENT WELD DWV**

PART NO.	SIZE IN INCHES	S1	W	D1
* T1164	4	2 7/8	3 1/8	5 1/16
* T1166	6	3 1/16	3 11/32	7 3/8
* T1168	8	4 1/16	4 13/32	9 19/32
* D11610	10	5 1/16	5 7/16	11 17/32
* D11612	12	6 1/16	6 1/2	13 11/16

-- DIMENSIONS AND APPEARANCE ARE APPROXIMATE AND SUBJECT TO CHANGE WITHOUT NOTICE DUE TO DESIGN OR PRODUCTION MODIFICATIONS
-- MOLDED FITTING TOLERANCE = ±1/8" OVERALL LENGTH
-- FABRICATED FITTING TOLERANCE = ±1" LINEAR, ± 2° ANGULAR

* MOLDED FITTING
† ASSEMBLED FROM MOLDED COMPONENTS
ALL OTHER FITTINGS ARE FABRICATED