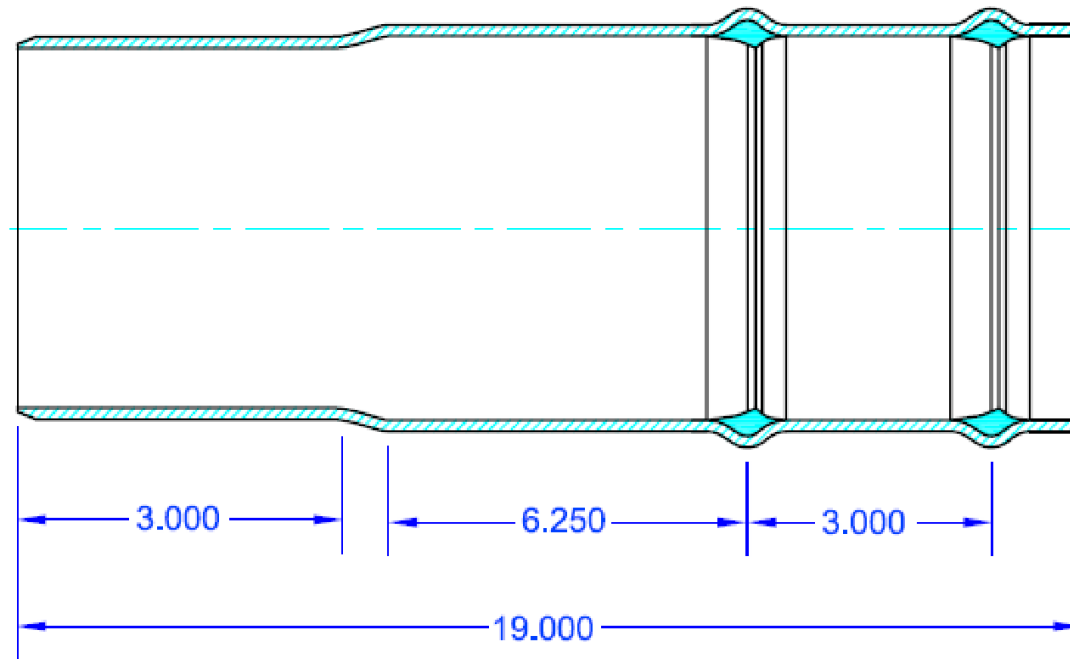


**SIGNED DRAWINGS MUST ACCOMPANY PURCHASE ORDER OR  
DIMENSIONS OF FITTINGS WILL NOT BE GUARANTEED**



**DISCLAIMER - PLEASE READ**

DUE TO VARIOUS FACTORS AFFECTING PRODUCTION, ALL DIMENSIONS ARE APPROXIMATE. DIMENSIONS AND APPEARANCE ARE SUBJECT TO CHANGE WITHOUT NOTICE DUE TO DESIGN OR PRODUCTION MODIFICATIONS. ANGLE TOLERANCE FOR ELBOWS IS  $\pm 2$  DEGREES. ALL FITTINGS ARE SUBJECT TO P.T.I. "STANDARD TERMS AND CONDITIONS." A COPY OF THIS DRAWING MUST ACCOMPANY ALL PURCHASE ORDERS FOR THIS FITTING. ALL OTHER DIMENSIONS ARE TO TOLERANCES OF  $\pm 1$ ".

**PLASTIC TRENDS**.COM  
**ROYAL** Building Products

56400 Mound Road, Shelby Township, MI 48316  
Phone (586)781-2700 Fax (586)781-0888

**CONTROL SETTLEMENT JOINT IPS**

**4" SPIGOT x 4" IPS GSK HUB**

PRINTED COPIES ARE FOR REFERENCE ONLY

DATE: N/A

DRAWN BY: PTI

DATE:

CHECKED BY:

**T6304**

DO NOT SCALE