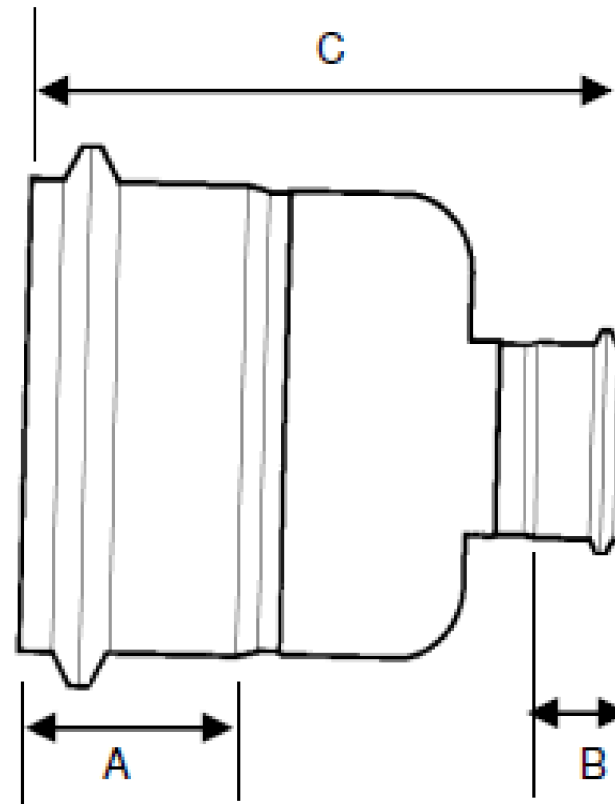


SIGNED DRAWINGS MUST ACCOMPANY PURCHASE ORDER OR DIMENSIONS OF FITTINGS WILL NOT BE GUARANTEED

SIZE	18X12
A	14.25
B	8.25
C	29.5



DISCLAIMER - PLEASE READ

- DUE TO VARIOUS FACTORS AFFECTING PRODUCTION, ALL DIMENSIONS ARE APPROXIMATE
- DIMENSIONS AND APPEARANCE ARE SUBJECT TO CHANGE WITHOUT NOTICE DUE TO DESIGN OR PRODUCTION MONIFICATIONS
- ANGLE TOLERANCE FOR ELBOWS IS +/- 2 DEGREES.
- ALL OTHER DIMENSIONS ARE TO TOLERANCES OF +/- 1"
- ALL FITTINGS ARE SUBJECT TO P.T.I. "STANDARD TERMS AND CONDITIONS"

**18" CONCENTRIC INCREASER COUPLING
GASKETED CIOD NON-PRESSURE
18"x12" GxG**

 **ROYAL** Building Products

56400 Mound Road, Shelby Township, MI 48316
Phone (586)781-2700 Fax (586)781-0888

PRINTED COPIES ARE FOR REFERENCE ONLY

DATE: 2/13/2014 DRAWN BY: BCS

DATE: 2/13/2014 CHECKED BY: RBP

N25-6018-12

CUSTOMER