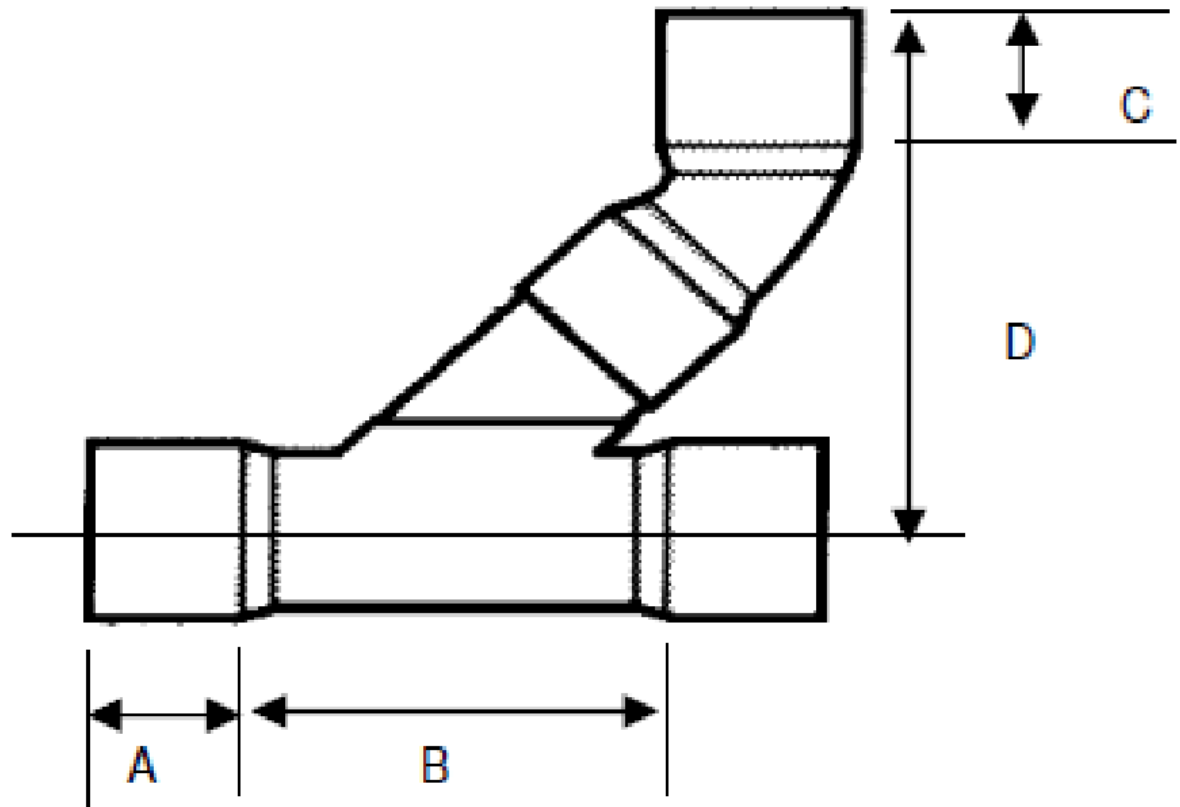


SIGNED DRAWINGS MUST ACCOMPANY PURCHASE ORDER OR DIMENSIONS OF FITTINGS WILL NOT BE GUARANTEED

SIZE	16x4	16x6	16x10
A	8	8	8
B	13.5	16.5	22.75
C	2	3	5
D	18.25	22.5	28.5



**DISCLAIMER - PLEASE READ**

- DUE TO VARIOUS FACTORS AFFECTING PRODUCTION, ALL DIMENSIONS ARE APPROXIMATE
- DIMENSIONS AND APPEARANCE ARE SUBJECT TO CHANGE WITHOUT NOTICE DUE TO DESIGN OR PRODUCTION MONIFICATIONS
- ANGLE TOLERANCE FOR ELBOWS IS +/- 2 DEGREES.
- ALL OTHER DIMENSIONS ARE TO TOLERANCES OF +/- 1"
- ALL FITTINGS ARE SUBJECT TO P.T.I. "STANDARD TERMS AND CONDITIONS"

**ROYAL** Building Products

56400 Mound Road, Shelby Township, MI 48316  
Phone (586)781-2700 Fax (586)781-0888

**16" COMBO WYE & 1/8 BEND (2-PIECE)  
SOLVENT WELD DWV  
16"x16"x10" HxHxH**

PRINTED COPIES ARE FOR REFERENCE ONLY

DATE: 4/29/2014 DRAWN BY: BCS

DATE: 4/29/2014 CHECKED BY: RBP

D16516-10.S

CUSTOMER