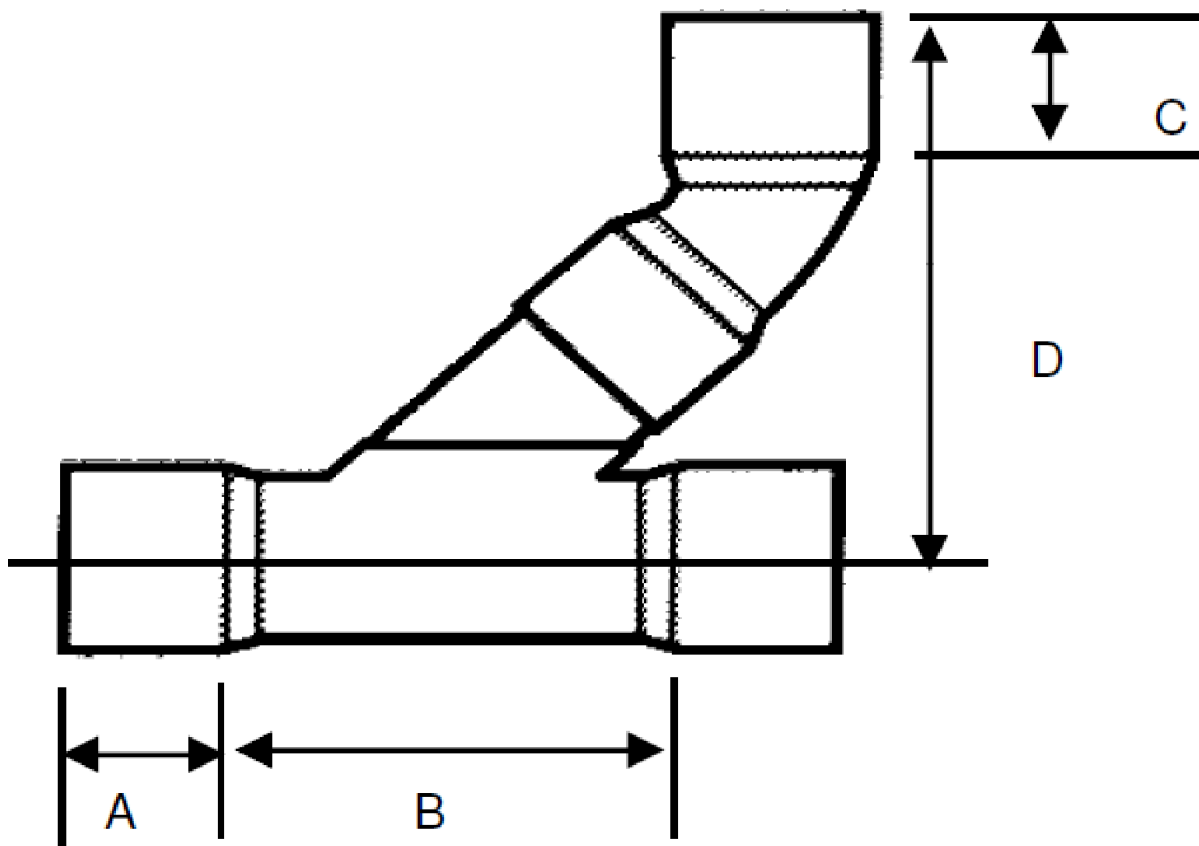


SIGNED DRAWINGS MUST ACCOMPANY PURCHASE ORDER OR DIMENSIONS OF FITTINGS WILL NOT BE GUARANTEED



SIZE	18x8
A	9
B	20.5
C	4.5
D	27.25

DISCLAIMER - PLEASE READ

- DUE TO VARIOUS FACTORS AFFECTING PRODUCTION, ALL DIMENSIONS ARE APPROXIMATE
- DIMENSIONS AND APPEARANCE ARE SUBJECT TO CHANGE WITHOUT NOTICE DUE TO DESIGN OR PRODUCTION MODIFICATIONS
- ANGLE TOLERANCE FOR ELBOWS IS +/- 2 DEGREES.
- ALL OTHER DIMENSIONS ARE TO TOLERANCES OF +/- 1"
- ALL FITTINGS ARE SUBJECT TO P.T.I. "STANDARD TERMS AND CONDITIONS"

PLASTIC TRENDS.COM
ROYAL Building Products
 56400 Mound Road, Shelby Township, MI 48316
 Phone (586)781-2700 Fax (586)781-0888

18" SW DWV COMBO WYE & 1/8 BEND HxHxH

15"

PRINTED COPIES ARE FOR REFERENCE ONLY
 DATE: 05-21-013 DRAWN BY: RSS
 DATE: 05-21-013 CHECKED BY: PTI

D16518-8.S

CUSTOMER