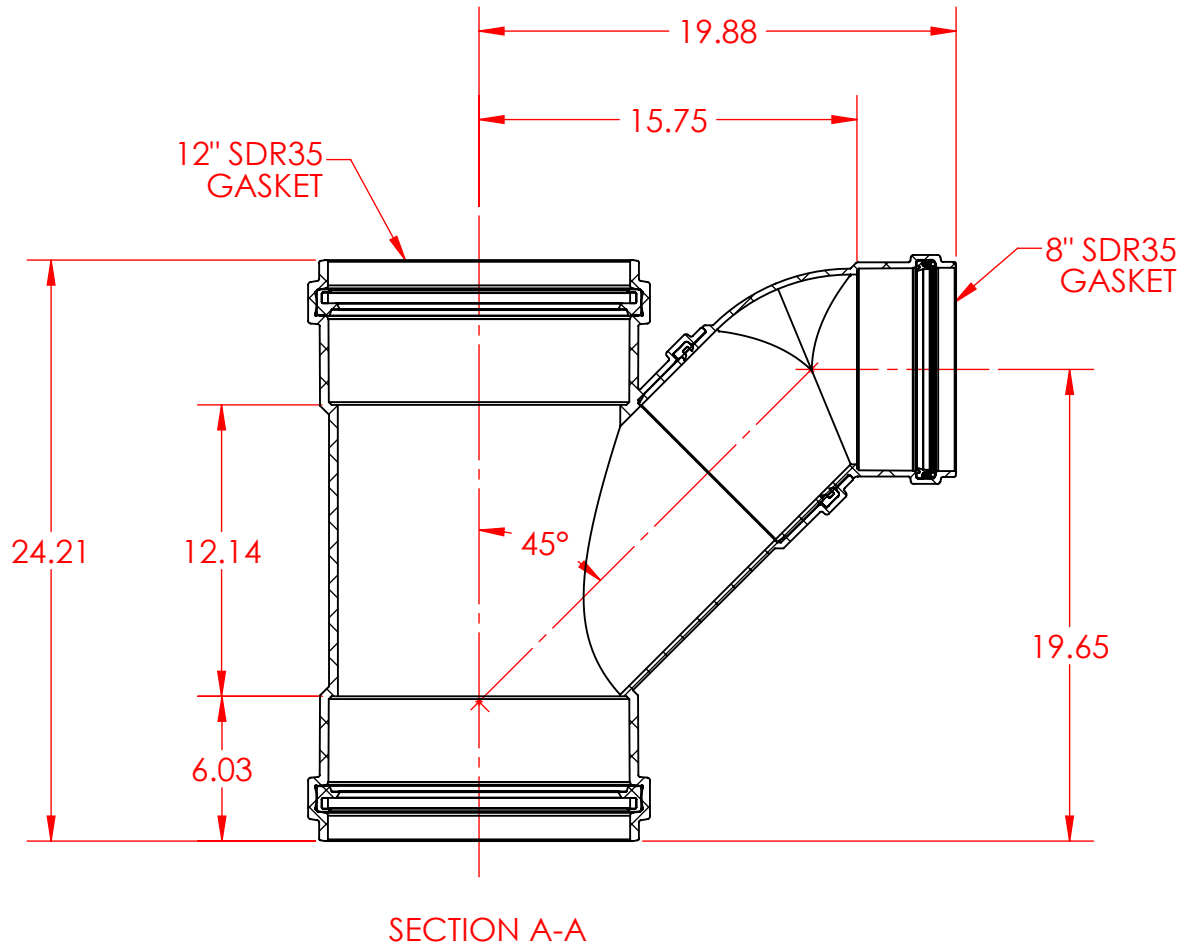
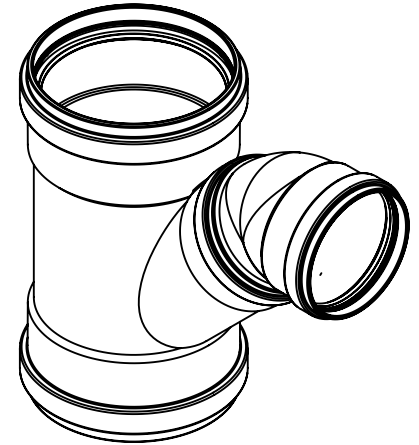


ITEM NO.	PART NUMBER	DESCRIPTION	QTY.
1	G3012-8.D01	12" x 8" SDR-35 GASKET REDUCING 45 WYE ASS'Y.	1
2	G408.D01	8" 1/8 BEND (45) SxG	1



MOLD #:  
ASM.

**12" COMBO WYE & 1/8 BEND (2 PIECE)  
SDR35 GASKETED SEWER  
12"x12"x8" GxGxG**

**ROYAL** Building Products

56400 Mound Road, Shelby Township, MI 48316  
Phone (586)781-2700 Fax (586)781-0888

PRINTED COPIES ARE FOR REFERENCE ONLY

DATE: 10/25/2012 DRAWN BY: BCS

DATE: 10/25/2012 CHECKED BY: PTI

G16512-8.D01

CUSTOMER