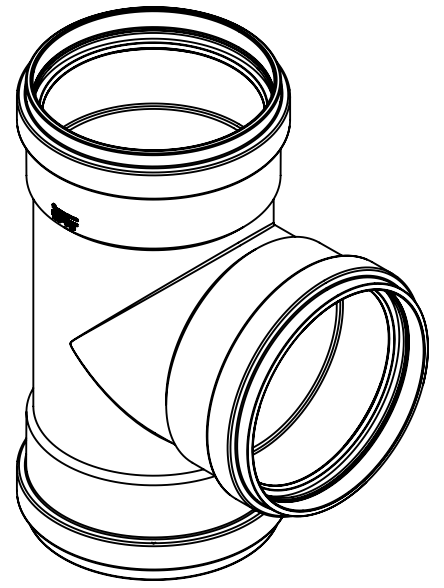


3X 12" TRADE SIZE  
SDR35 SEWER  
GASKET HUB



CSA B182.1  
ASTM D3034

**NAPCO** PIPE & FITTINGS

56400 Mound Road  
Shelby Township, MI 48316  
U.S.A.  
Phone (800) 232-5690 | Fax (586) 781-0888  
CSshelby@napcopipe.com | www.napcopipe.com

REFERENCE ONLY

FILE NAME:

G1012.D01

**12" STRAIGHT TEE  
PVC GASKETED SDR35 SEWER  
12"x 12"x 12" GxGxG**