



GVS-65 SIDE WALL VENT TERMINATION KIT

For Type BH, Class IIA (65°C) Gas Venting Systems

This vent kit is used to terminate the intake and exhaust of a category IV condensing furnace. Termination must be made outside the structure. The vent kit is made for mounting on vertical walls only. The vent kit is not made for roof mounting. The vent kit is supplied in 2" and 3" versions; it is the responsibility of the installer to ensure the correct version is used based on the appliance being vented.

This vent kit is to be installed by a qualified service technician. Codes and local utility requirements governing the installation of gas fired equipment, wiring, plumbing, and flue connections must be adhered to. In the absence of local codes, the installation must conform to the Natural Gas and Propane Installation Code CAN/CSA B149.1. The latest codes may be obtained from the Canadian Standards Association at www.csa.ca. Failure to follow these instructions and proper codes may result in: improper installation, faulty appliance operation, fire, carbon monoxide poisoning, explosion, property damage, personal injury or death.

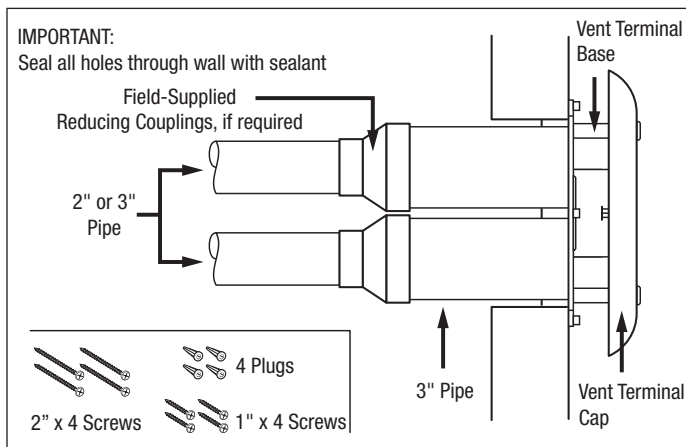
NAPCO GVS-65 Side Wall Vent Termination Kits are certified to ULC S636, for use with the our GVS-65 Gas Venting System. The NAPCO GVS-65 Side Wall Vent Termination Kit must be installed according to the appliance manufacturers installation instructions, this installation guide and the GVS-65 Installation Guide.

Side Wall Vent Termination Kit consists of the following components:

1 - Vent Terminal Base	1 - Vent Terminal Cap
4 - #8 x 1" SS Screws	4 - #8 x 2" SS Screws
4 - Plastic Screw Anchors	1 - Instruction Sheet

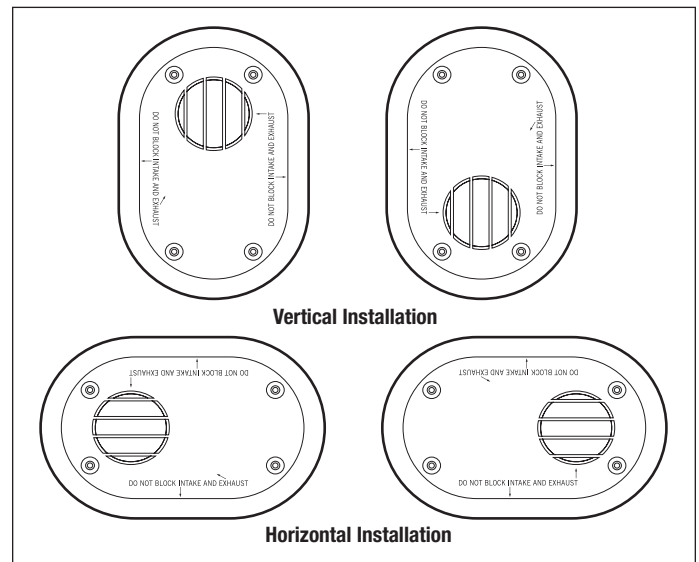
Vent Pipe Material

Installer supplied vent pipe, fittings, primer and solvent cement must be part of the NAPCO GVS-65 Gas Venting System. Vent pipe and fittings must be sized according to appliance manufacturer recommendations.



Installation:

- Determine the best location for the vent terminal. In addition to all applicable codes, consider the following:
 - Minimize the length of pipe and fittings in the piping. Consult the appliance installation manual to determine maximum length of pipe and fittings allowed.
 - Terminal kit should be positioned where vent vapors will not damage plants, shrubs, building materials, or air-conditioning equipment, or where the vapors might be objectionable.
 - Terminal kit should be located where it will not be affected by wind gusts, snow build up, leaves or other debris that will inhibit the function of the vent exhaust or intake.
- Vent may be oriented in any direction as long as it is mounted on a vertical wall.



WARNING

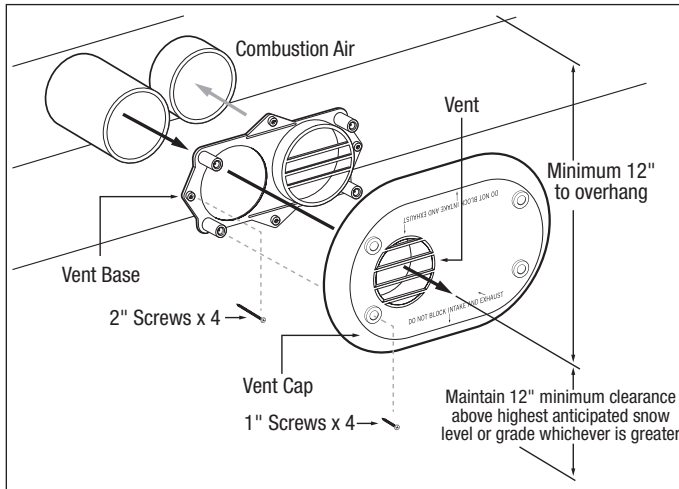
Furnaces: This vent kit is to be used with Category IV condensing furnaces only. DO NOT use with Category I, II or III furnaces. This concentric vent termination kit must be approved for use with any appliance by the appliance manufacturer. DO NOT use for Roof Top Venting. Use this kit for side wall venting only.

Water Heaters or Boilers: Since there is no categorization of these units, this vent kit is only to be used with water heaters or boilers that have an exhaust temperature of 65°C or less. Please consult with the installation instructions of the unit to be sure this type of vent kit is approved.



GVS-65 SIDE WALL VENT TERMINATION KIT

For Type BH, Class IIA (65°C) Gas Venting Systems



- If multiple vent kits are being installed, there must be at least 16" horizontal space between the vent caps. To prevent possibility of condensate freeze up, do not locate the vent kits above one another.
- Use the vent base as a template to locate the vent and intake holes and four mounting holes. Cut two 3-7/8" diameter holes for the exhaust and intake pipes. Drill four 3/16" diameter holes for the mounting screws. Insert plastic anchors in holes. Attach vent base to wall with 4 - #8 x 2" SS Screws.
- Assemble the vent cap to the vent base with 4 - #8 x 2" SS Screws.
- Install the exhaust and intake piping through the wall into the vent termination kit. Use RTV silicon sealant to seal the pipe to the vent cap, to allow future disassembly and cleaning. DO NOT use PVC solvent cement to seal this connection.
- Seal gap between pipes and wall with expanding foam or other suitable material.
- Extend intake and exhaust pipes to appliance, make sure to attach intake and exhaust to the correct sides of the vent cap. Use only NAPCO GVS-65 pipe, fittings, primer, and solvent cement.
- Operate appliance for a minimum of 15 minutes to make sure that it works properly and that all piping joints are sealed to prevent the escape of combustion products into the home.

Sales & Distribution Centres:

Langley, BC, Canada
T/F 1.800.663.0696
F 1.800.663.6564

Woodbridge, ON, Canada
T/F 1.866.769.7473
F 905.856.3986

Laval, QC, Canada
T/F 1.800.465.9754
F 450.688.6624

Distribution Centres:

Calgary, AB, Canada
T/F 1.800.663.0696
F 1.800.663.6564

Winnipeg, MB, Canada
T/F 1.800.663.0696
F 1.800.663.6564

Certifications:

Rated for flue gas temperatures up to and including 65°C. This vent kit is certified to ULC S636 as part of the NAPCO GVS-65 Gas Venting System, for use as a Type BH, Class IIA (65°C) gas venting system. This vent kit is Design Certified for use with certain appliances; please check with your appliance manufacturer for more information.

⚠ WARNING

To avoid bodily injury, fire or explosion, solvent cements MUST be kept away from all ignition sources (i.e. sparks, open flames and excessive heat) as they are combustible liquids. Avoid breathing cement vapors or contact with skin and/or eyes.

⚠ WARNING

High Voltage – Disconnect ALL electrical power and shut off gas supply before servicing or installing. Multiple power sources may be present. Failure to do so may cause property damage, personal injury or death.

⚠ WARNING

If the information in these instructions is not followed exactly, a fire or explosion may result causing property damage, personal injury or loss of life.

Do not store or use gasoline or other flammable vapors and liquids in the vicinity of this or any other appliance.

What to do if you smell gas:

- Do not try to light any appliance.
- Do not touch any electrical switch; do not use and phone in your building.
- Immediately call your gas supplier from a neighbor's phone. Follow the gas supplier's instructions.
- If you cannot reach your gas supplier, call the fire department.
- Installation and service must be performed by a qualified installer, service agency or the gas supplier.

⚠ WARNING

To avoid property damage, personal injury or death due to explosion or fire, install a gas detecting warning device. Since the odorant in propane gas can be reduced by iron oxide (rust), a gas detecting warning device is the only reliable method to detect propane gas leaks.

⚠ WARNING

Property damage, furnace malfunction, personal injury or death may result from improper installation or maintenance performed by untrained personnel. Installation must conform with local codes, with codes of the country having jurisdiction. Call your installing dealer or other qualified service companies to perform the installation or maintenance inspection.

⚠ WARNING

To avoid the risk of property damage, personal injury or fire, shut off gas supply first, then disconnect the electrical supply before proceeding with the kit installation.