



GVS-65 CONCENTRIC VENT TERMINATION KIT

For Type BH, Class IIA (65°C) Gas Venting Systems 52CVKGV6502 & 52CVKGV6503

NAPCO offers a concentric vent termination kit to be used with our Class IIA (PVC) gas venting system for horizontal or vertical vent terminations. This kit is available for 2" and 3" vent terminations. Do not substitute any pipe, fittings, solvent cements or primer from any other plastic vent manufacturer. Substituting components from different manufacturers voids NAPCO system certification.

NAPCO GVS-65 Concentric Vent Termination Kits are certified to ULC S636, for use with the GVS-65 Gas Venting System. The GVS-65 Concentric Vent Termination Kit must be installed according to the appliance manufacturers installation instructions, this installation guide and the NAPCO GVS-65 Installation Guide.

Each concentric vent termination kit consists of the following components:

2" Kit:	3" Kit:
2" Rain Cap	3" Rain Cap
2" SDR26 Pipe, 31.5" Long	2½" SDR26 Pipe, 37" Long
3" SDR26 Pipe, 19.5" Long	4" SDR26 Pipe, 24" Long
2" Wye Concentric Fitting	3" Wye Concentric Fitting

Concentric Vent Termination Kit Installation:

- Determine the best location for the termination kit. See Figures 1 and 2 for horizontal and vertical vent termination. For side (horizontal) termination, the following should be considered:
 - Damage from vapours to plants and shrubs, other equipment and building materials.
 - Possible damage to the terminal from foreign objects.
 - Wind effects that may cause recirculation of flue products, debris or light snow.
 - Visible vent vapours.
- Cut one 5" diameter hole through the structure for the 3" kit or one 4" diameter hole for the 2" kit.
- Refer to Figure 3 for concentric vent dimensions.
- Partially assemble the concentric vent termination kit. Solvent cement the parts using the procedures in the NAPCO GVS-65 installation guide and as per the instructions below:
 - Cement the Wye Concentric Fitting to the larger diameter kit pipe.
 - Cement the rain cap to the smaller diameter kit pipe.
- Install the Wye Concentric Fitting and pipe assembly through the hole in the structure. For vertical termination, install the parts through the field supplied roof boot/flashing.

NOTE:

Do not allow insulation or other materials to accumulate inside the pipe assembly when installing through the structure hole.

- If the assembly is too short to meet the height requirement, the 2 pipes supplied in the kit may be replaced with NAPCO IPS SDR 26 pipe of the same diameter. The pipe length may be extended a maximum of 30" additional.
- Secure the assembly to the structure as shown in Figure 1 or Figure 2 using field supplied metal strapping or equivalent.

NOTE:

- Ensure that the strap is installed to prevent movement of termination kit in side wall.
 - Ensure the termination height is above the roof surface or anticipated snow level as shown in Figure 2 for vertical termination.
 - Ensure the termination location clearance dimensions are as shown in Figure 1 for horizontal termination.
- Install the rain cap and the small diameter pipe assembly in the Wye Concentric Fitting and large pipe assembly. Ensure that the small diameter pipe is bottomed out and securely cemented in the Wye Concentric Fitting.
 - Cement the furnace combustion air and vent pipes to the concentric vent termination assembly. See Figure 1 or Figure 2 for proper pipe attachment.
 - Operate the furnace through one heat cycle to ensure combustion air and vent pipes are properly connected to the concentric termination connections.

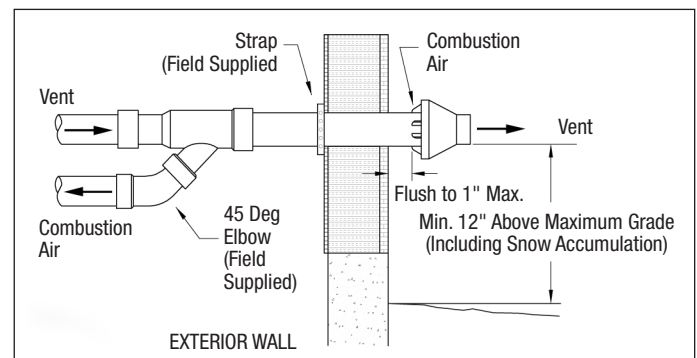


Figure 1.



GVS-65 CONCENTRIC VENT TERMINATION KIT

⚠ WARNING

Furnaces: This vent kit is to be used with Category IV condensing furnaces only. DO NOT use with Category I, II or III furnaces. This concentric vent termination kit must be approved for use with any appliance by the appliance manufacturer.

Water Heaters or Boilers: Since there is no categorization of these units, this vent kit is only to be used with water heaters or boilers that have a flue gas temperature of 65°C or less. Please consult with the installation instructions of the appliance to confirm that this type of vent termination kit is approved.

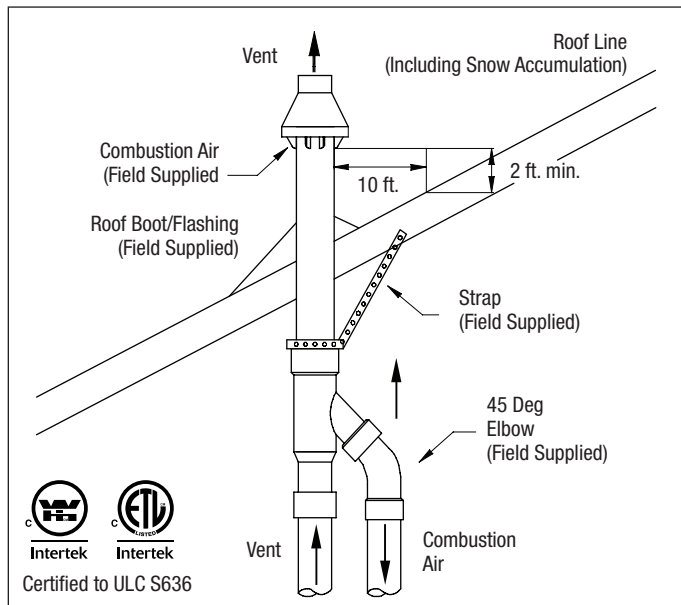


Figure 2.

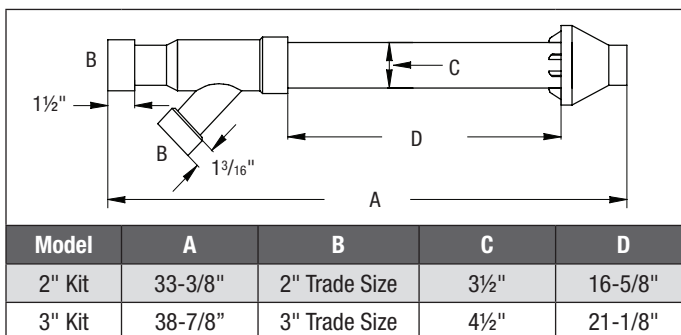


Figure 3.

⚠ WARNING

Do not operate the furnace with the rain cap removed, as re-circulation of the flue gases may occur. Water may also collect inside the larger combustion air pipe and flow to the burner enclosure. Failure to follow this warning can result in property and equipment damage, personal injury or death.

Sales & Distribution Centres:

Langley, BC, Canada
T/F 1.800.663.0696
F 1.800.663.6564

Woodbridge, ON, Canada
T/F 1.866.769.7473
F 905.856.3986

Laval, QC, Canada
T/F 1.800.465.9754
F 450.688.6624

Distribution Centres:

Calgary, AB, Canada
T/F 1.800.663.0696
F 1.800.663.6564

Winnipeg, MB, Canada
T/F 1.800.663.0696
F 1.800.663.6564

⚠ CAUTION

Do not use field-supplied couplings to extend the pipes. Airflow restriction will occur and the furnace pressure switch may cause intermittent operation.

⚠ WARNING

To avoid bodily injury, fire or explosion, solvent cements MUST be kept away from all ignition sources (i.e. sparks, open flames and excessive heat) as they are combustible liquids. Avoid breathing cement vapors or contact with skin and/or eyes.

⚠ WARNING

High Voltage – Disconnect ALL electrical power and shut off gas supply before servicing or installing. Multiple power sources may be present. Failure to do so may cause property damage, personal injury or death.

⚠ WARNING

If the information in these instructions is not followed exactly, a fire or explosion may result causing property damage, personal injury or loss of life.

Do not store or use gasoline or other flammable vapors and liquids in the vicinity of this or any other appliance.

What to do if you smell gas:

- Do not try to light any appliance.
- Do not touch any electrical switch; do not use a phone in your building.
- Immediately call your gas supplier from a neighbor's phone. Follow the gas supplier's instructions.
- If you cannot reach your gas supplier, call the fire department.
- Installation and service must be performed by a qualified installer, service agency or the gas supplier.

⚠ WARNING

To avoid property damage, personal injury or death due to explosion or fire, install a gas detecting warning device. Since the odorant in propane gas can be reduced by iron oxide (rust), a gas detecting warning device is the only reliable method to detect propane gas leaks.

⚠ WARNING

Property damage, furnace malfunction, personal injury or death may result from improper installation or maintenance performed by untrained personnel. Installation must conform with local codes, with codes of the country having jurisdiction. Call your installing dealer or other qualified service companies to perform the installation or maintenance inspection.

⚠ WARNING

To avoid the risk of property damage, personal injury or fire, shut off gas supply first, then disconnect the electrical supply before proceeding with the kit installation.