



N-Series | Gasketed DR 25 CIOD Non-Pressure Fittings

Fabricated in Sizes 4" – 36"

The N-Series line of DR25 gasketed non-pressure C900 fittings is for use in CIOD applications. These fittings are a tough alternative to cast iron fittings. They have the benefit of being resistant to corrosion because they contain no metallic parts.

The locked-in gasket creates a tight seal which protects the pipe and fittings from shock, vibration and earth movements. The gasket also ensures watertight joints with virtually no risk of infiltration or leakage.

Fabricated bends of 45° or less are manufactured from one piece of pipe, where available, providing a lightweight, compact fitting which can easily be handled in the field.

The N-Series does not include fiberglass reinforcement due to its non-pressure application.

Used for sewer and drain applications. Most commonly installed in either areas of high water tables or extremely deep burials.

Design Advantages

- Corrosion-resistant
- Watertight gasket for system integrity
- Durable, easy to install and long lasting

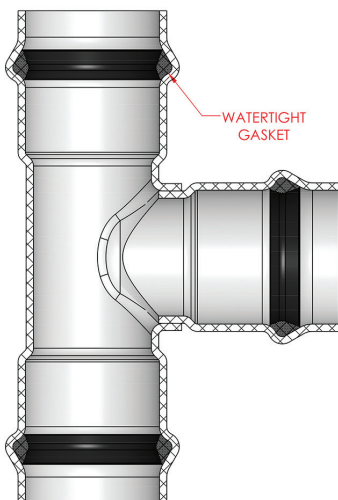
Applications

- Used for sewer and drain applications. Most commonly installed in either areas of high water tables or extremely deep burials.

Typical Uses

Drainage

- Sewer main systems
- Industrial process drainage lines



ATTENTION: Our fittings are not to be used or tested with compressed air or gases.



The N-Series fitting line is a fully-integrated DR25 fitting line used for connections with CIOD applications.

Short Term Specifications

Sizes 4" through 36"

CIOD Non-Pressure fittings shall conform to the dimensional requirements of AWWA C900. DR25 Non-Pressure Fabricated fittings may be used with any CIOD DR ratio pipe. All PVC CIOD fittings shall incorporate integral elastomeric gasketed bell joints. Materials used in the manufacture of Non-Pressure PVC fittings shall equal or exceed cell class 12454 (ASTM D1784). Fabricated fittings shall be manufactured from segments of PVC pipe meeting the requirements of AWWA C900. Non-Pressure CIOD fittings do not require any fiberglass wrap and are not marked with any pressure rating.

PVC fittings shall be able to withstand 10.8 psi internal pressure and 22" mercury vacuum for joint tightness in accordance with ASTM D3212.

All fittings shall be marked with the following identification:

- Nominal Size
- Non-Pressure CIOD
- Suppliers Name or Trademark

Certification

Our Non-pressure CIOD Gasketed Sewer fittings conform to portions of AWWA C905.