



## DR35 Gasketed Sewer Fittings

### Injection Moulded in Sizes 4" - 12"

Our DR35 gasketed sewer fittings are designed for maximum performance in the most demanding environments along with ease of installation. Heavy duty reducing branches utilizing a minimum of DR18 wall thickness are used in injection moulded 8", 10", and 12" tees, wyes and tee-wyes to reinforce the strength of important branch intersections. A robust, high performance gasket protects the system by preventing infiltration and ex-filtration. Special features are incorporated to facilitate assembly; an extended pre-alignment lead in which aids in the proper placement of pipe and fittings, and our square pipe stop which resists pipe push-through from over insertion. The branch socket design permits up to 5° of angular deflection.

### Applications

Non-pressure drainage of sewer and surface water.

### Short Form Specifications

4" through 12" DR35 PVC Injection Moulded Gasketed Sewer fittings shall be manufactured in accordance with ASTM D3034, ASTM F1336, and CSA B182.2. They shall be injection moulded from virgin PVC compound having a cell classification of 12454 or 13343 in accordance with, and certified by the National Sanitation Foundation (NSF), to meet ASTM DI 784. Gaskets shall be manufactured in accordance with ASTM F477 or ASTM F913. Gaskets shall be firmly seated in fitting in order to ensure proper installation and to prevent dislocation or misalignment during system assembly. Gasket joints must comply with ASTM D3212 Internal Pressure Test (ex-filtration) and Vacuum Test (infiltration) at 5° degrees of gasket joint deflection and top load deflection.

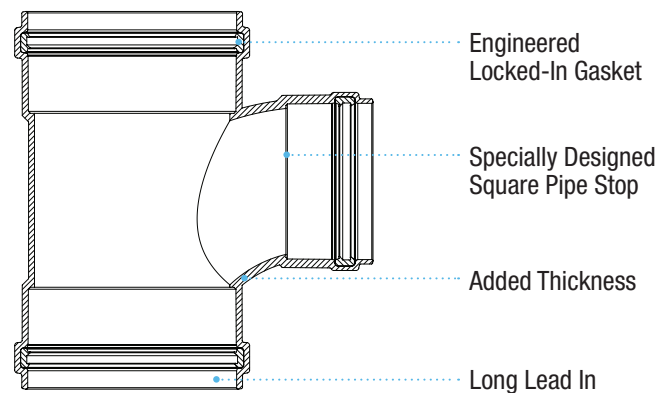
The DR35 PVC Gasketed Sewer Fittings line is a fully-integrated fitting design using reinforced branches and intersections to enhance the structural integrity of the installation and provide long-lasting performance.

### Certifications

Our DR35 PVC Gasketed Sewer fittings are third party tested and listed by NSF and CSA to meet specifications defined in ASTM D3034, ASTM F1336 and CSA B182.2, where applicable.



Insertion Forces		
4"	6"	8"
63 lb/f	215 lb/f	240 lb/f



### Advantages of DR35 PVC Gasketed Sewer Fittings include:

- Integrated engineered gasket and a one-piece bell for system performance.
- Reinforced wall thickness at key branch intersections to DR18 for added protection against stress.
- Injection molded joint withstands 50 psi hydrostatic 22" mercury vacuum pressure.
- 5° of Angular Deflection permitted.
- Specially-designed square pipe stop prevents damage from over insertion, requires 30% more force before sparring.
- Pre-alignment lead in allows an easy and timely installation.
- 324 Injection Moulded Patterns available.