



MUNICIPAL PRODUCT SPECIFICATION

C900 Certa-Lok® Fittings

NAPCO produces Adapters, Expansion Couplings and Sweeps directly compatible with our C900 Certa-Lok pipe products.

For additional appurtenance needs, our C900 Certa-Lok pipe products can be mated to compatible Cast Iron Outside Diameter (CIOD) third-party fittings.

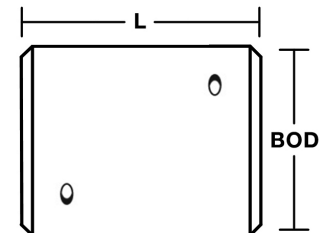
Notes:

1. These dimensions are for estimating purposes only.
All dimensions are in inches unless otherwise specified.
2. AWWA Pressure Class @ 73°F and includes 2:1 safety factor.
3. Expansion couplings do not provide a fully restrained joint.



Short Form Specification	
Pipe Standard:	AWWA C900
Diameter Std.:	Cast Iron Outside Diameter (CIOD)
Nominal Sizes:	4", 6", 8", 10", 12", 16"
Color:	Female Fittings – White Sweeps – Blue
Fitting Compound:	ASTM D1784 Cell Class 12454
Pipe Joint Std.:	ASTM D3139
Gasket Standard:	ASTM F477
Certifications:	NSF 61
Installation Std.:	AWWA C605

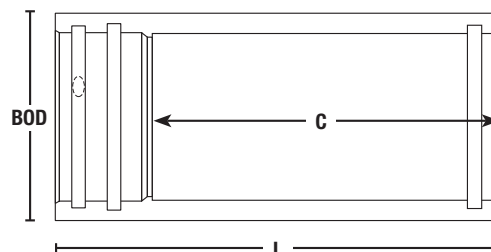
C900/RJ TO C900/RJIB CERTA-LOK ADAPTERS								
Nom. Size	Pipe Outside Diameter	Pressure Rating (psi)	BOD	L	Weight (lb)	Part Number		
						Fitting*	Gasket	Splines
4"	4.800	305	5.964	8.250	4.0	82157862106	OR040RJ01	S0418SN0 S0518TN0



* Includes gaskets and splines

C900 CERTA-LOK EXPANSION COUPLINGS CERTA-LOK FEMALE X GASKETED SLIP JOINT											
Nom. Size	Pipe Outside Diameter	Pressure Rating (psi)	Certa-Lok Groove Compatibility		BOD	L	C	Weight (lb)	Part Number		
			C900/RJ	C900/RJIB					Fitting*	Gasket	Splines
4"	4.800	305	Yes	No	5.964	18.000	13.575	8.9	82157292767	OR040RJ01	S0418SN0
6"	6.900	305	Yes	Yes	8.366	18.000	13.575	15.9	82157292774	OR060RJ01	S0624TN0
8"	9.050	305	Yes	Yes	10.947	18.000	12.470	27.1	82157292354	OR080RJ01	S0832TN0
10"	11.100	305	Yes	Yes	13.361	18.000	12.237	39.7	82157292750	OR100RJ01	S1039TN0
12"	13.200	305	Yes	Yes	15.836	18.000	11.800	55.0	82157292347	OR120RJ01	S1246TN0

* Includes gaskets and splines



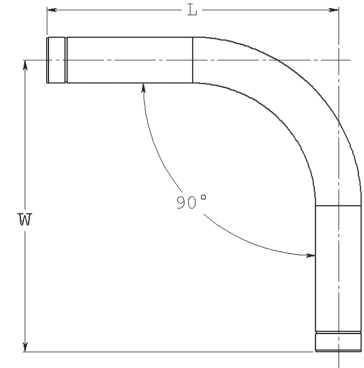
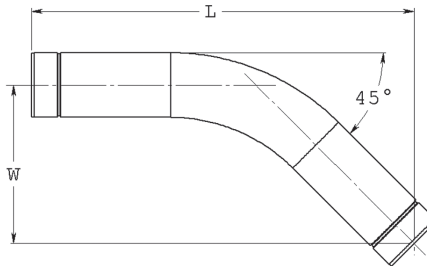
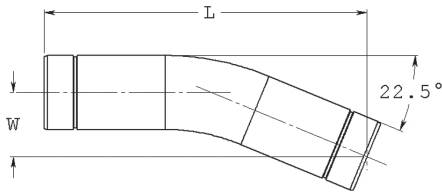
napcopipe.com | 1.855.624.7473



MUNICIPAL PRODUCT SPECIFICATION

C900 Certa-Lok® Fittings

C900 CERTA-LOK SWEEPS CERTA-LOK MALE X CERTA-LOK MALE									
Nom. Size	Pressure Rating (psi)	Certa-Lok Groove Compatibility		OD	Angle (deg)	L	W	Weight (lb)	Part Number
		C900/RJ	C900/RJIB						
4"	235	Yes	No	4.800	22.5	26.063	5.188	6.9	82157292873
					45	28.750	11.875	8.5	82157292835
					90	30.250	30.250	13.9	82157292798
6"	235	Yes	Yes	6.900	22.5	28.938	5.813	15.9	82157292880
					45	39.188	16.250	24.0	82157292842
					90	42.000	42.000	40.1	82157292453
8"	235	Yes	Yes	9.050	22.5	45.375	8.688	41.1	82157292897
					45	52.000	21.563	55.0	82157292859
					90	46.625	46.625	77.1	82157292804
10"	235	Yes	Yes	11.100	22.5	69.438	13.813	99.2	82157292903
					45	72.875	30.188	115.8	82157292378
					90	71.375	71.375	178.3	82157292811
12"	235	Yes	Yes	13.200	22.5	69.438	13.813	140.4	82157292385
					45	72.938	30.813	164.0	82157292866
					90	71.813	71.813	252.3	82157292828
16"	235	Yes	N/A	17.400	22.5	83.875	16.688	292.1	82157293252
					45	85.875	336.4	336.4	82157293245



napcopipe.com | 1.855.624.7473