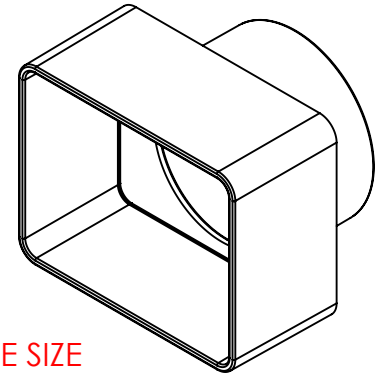
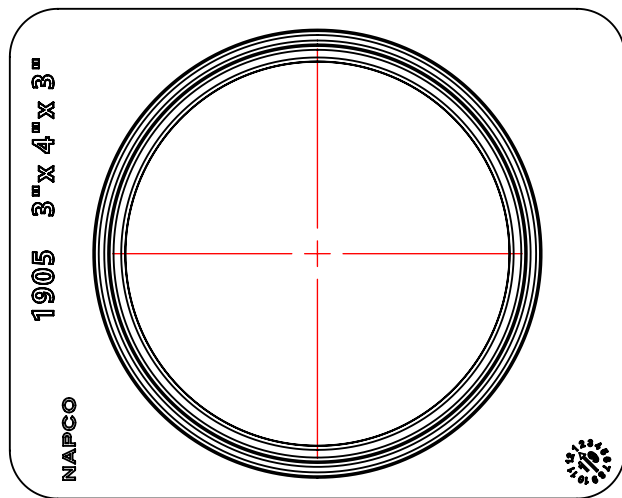
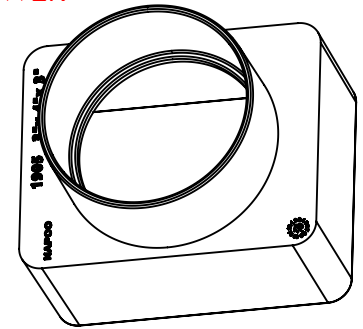


SECTION A-A



3" TRADE SIZE
SOLVENT WELD
SDR35 SEWER
HUB



BOTTOM VIEW

CSA B182.1
ASTM D3034

NAPCO PIPE & FITTINGS

56400 Mound Road
Shelby Township, MI 48316
U.S.A.
Phone (800) 232-5690 | Fax (586) 781-0888
CSshelby@napcopipe.com | www.napcopipe.com

REFERENCE ONLY

FILE NAME:

P1905.D04

**3"x 4"x 3" DOWNSPOUT ADAPTER
PVC SDR35 SEWER - 3" SOLVENT SEWER HUB**

3"x 4"x 3" DOWNSPOUT x H