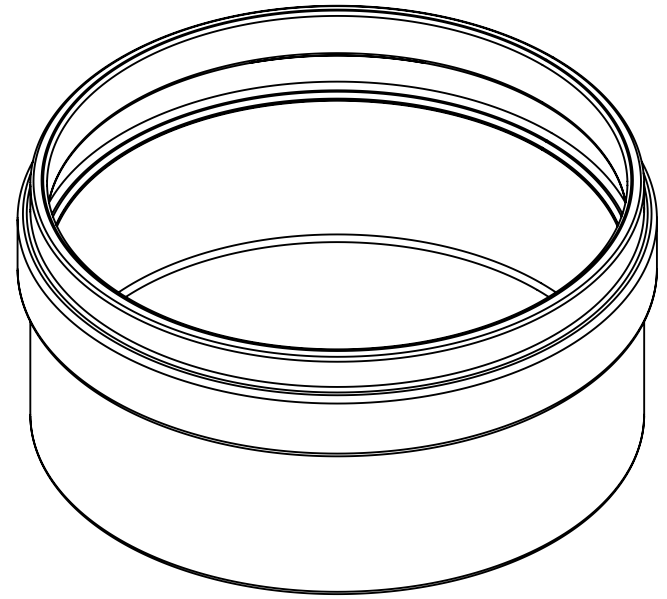
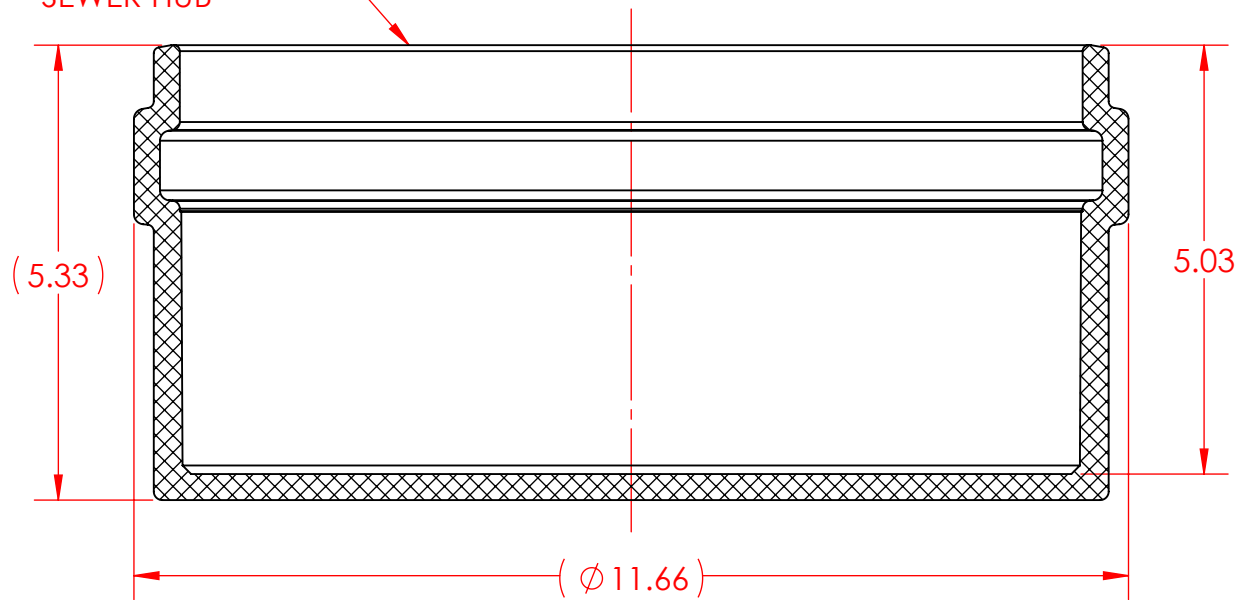


10" TRADE SIZE  
SDR35 GASKETED  
SEWER HUB



REF. ASTM D3034  
CSA B182.1, 182.2

Part Number	Product Line	Color
G16010	SDR35 US	White
40CAP10G	SDR35 CAN	White

NOTE: GASKETS NOT SHOWN

**10" CAP (G)**  
**PVC SDR35 GASKETED SEWER**  
**10" (G)**

**NAPCO** PIPE & FITTINGS

56400 Mound Road  
Shelby Township, MI 48316  
U.S.A.  
Phone (800) 232-5690 | Fax (586) 781-0888  
CSshelby@napcopipe.com | www.napcopipe.com

REFERENCE ONLY

FILE NAME:

G16010.D02