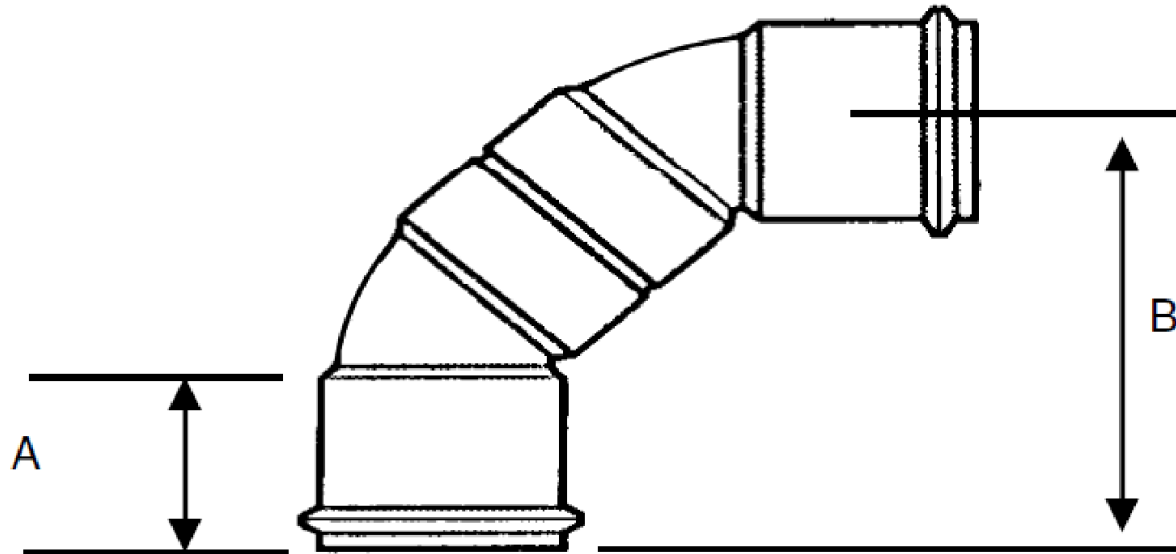


SIGNED DRAWINGS MUST ACCOMPANY PURCHASE ORDER OR DIMENSIONS OF FITTINGS WILL NOT BE GUARANTEED



Size	A	B
18"	9.25	27.75

**DISCLAIMER - PLEASE READ**

- DIMENSIONS AND APPEARANCE ARE APPROXIMATE AND SUBJECT TO CHANGE WITHOUT NOTICE DUE TO DESIGN OR PRODUCTION MODIFICATIONS
- ANGLE TOLERANCE FOR ELBOWS IS +/- 2 DEGREES.
- ALL OTHER DIMENSIONS ARE TO TOLERANCES OF +/- 1"
- ALL FITTINGS ARE SUBJECT TO RBP "STANDARD TERMS AND CONDITIONS"

 **ROYAL** Building Products

[royalbuildingproducts.com](http://royalbuildingproducts.com)

56400 Mound Road, Shelby Township, MI 48316  
Phone (800)232-5690 -- Fax (586)781-0888

**18" 1/4 BEND (90) GxG LONG SWEEP  
PVC SDR35 SEWER  
18"x 18" GxG**

PRINTED COPIES ARE FOR REFERENCE ONLY

DATE: 12/29/2014 DRAWN BY: RKS

DATE: 12/29/2014 CHECKED BY: RBP

L18018.S

CUSTOMER