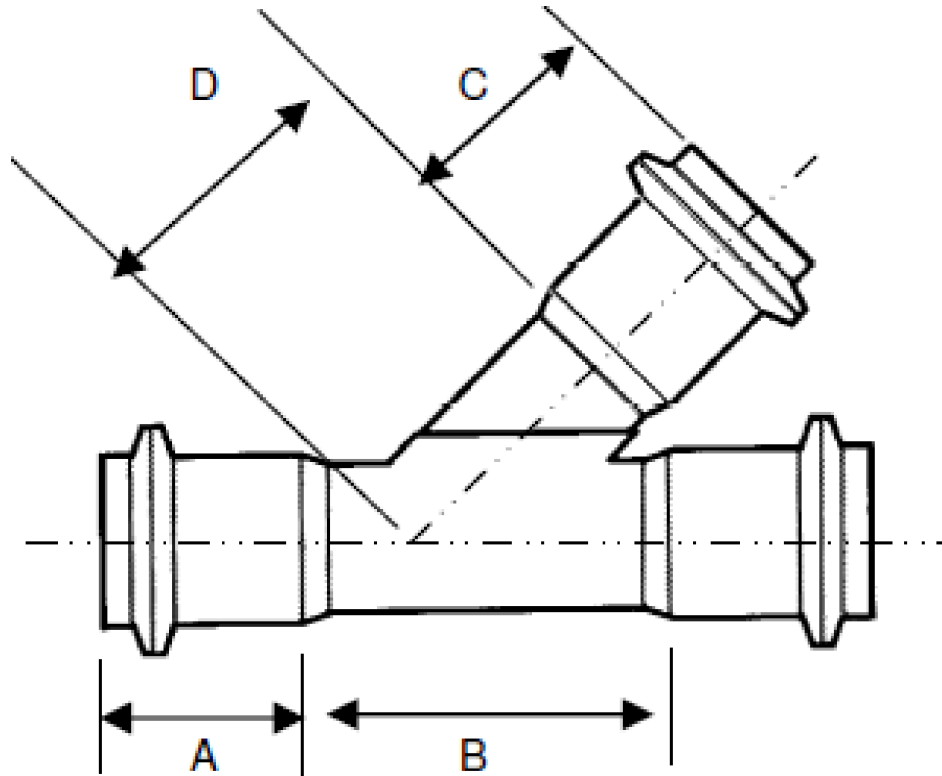


SIGNED DRAWINGS MUST ACCOMPANY PURCHASE ORDER OR DIMENSIONS OF FITTINGS WILL NOT BE GUARANTEED



SIZE	10X4	10X6
A	9	9
B	12.75	14.75
C	4.5	5
D	11.5	14.25

**DISCLAIMER - PLEASE READ**

- DUE TO VARIOUS FACTORS AFFECTING PRODUCTION, ALL DIMENSIONS ARE APPROXIMATE
- DIMENSIONS AND APPEARANCE ARE SUBJECT TO CHANGE WITHOUT NOTICE DUE TO DESIGN OR PRODUCTION MODIFICATIONS
- ANGLE TOLERANCE FOR ELBOWS IS +/- 2 DEGREES.
- ALL OTHER DIMENSIONS ARE TO TOLERANCES OF +/- 1"
- ALL FITTINGS ARE SUBJECT TO P.T.I. "STANDARD TERMS AND CONDITIONS"

**PLASTIC TRENDS** .COM  
**ROYAL** Building Products

56400 Mound Road, Shelby Township, MI 48316  
 Phone (586)781-2700 Fax (586)781-0888

PRINTED COPIES ARE FOR REFERENCE ONLY

DATE: 05-31-2013 DRAWN BY: RSS

DATE: 05-31-2013 CHECKED BY: PTI

T3010-6.S

**10" DWV WYE (45)**

**10" x 6" GxGxG**

CUSTOMER