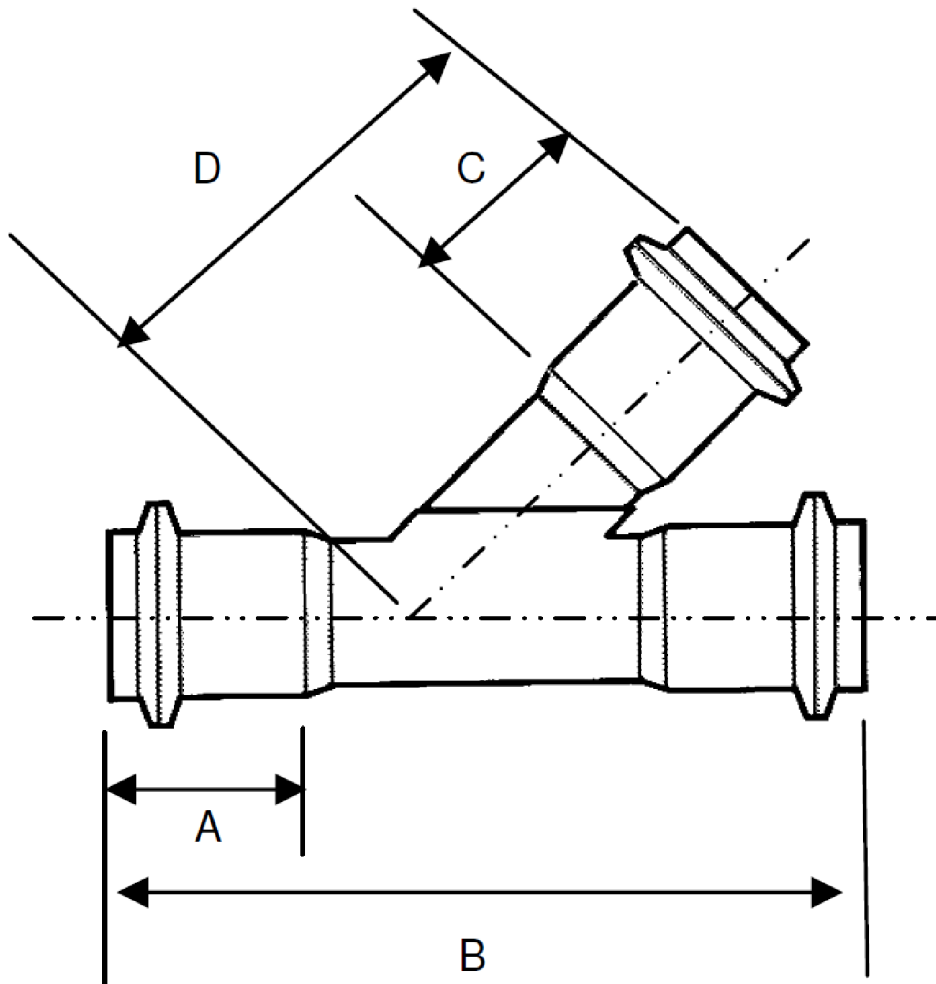


SIGNED DRAWINGS MUST ACCOMPANY PURCHASE ORDER OR DIMENSIONS OF FITTINGS WILL NOT BE GUARANTEED



SIZE	36X24	36X30
A	17.5	17.5
B	91	97
C	12.5	19.5
D	53	61

**DISCLAIMER - PLEASE READ**

- DIMENSIONS AND APPEARANCE ARE APPROXIMATE AND SUBJECT TO CHANGE WITHOUT NOTICE DUE TO DESIGN OR PRODUCTION MODIFICATIONS
- ANGLE TOLERANCE FOR ELBOWS IS +/- 2 DEGREES.
- ALL OTHER DIMENSIONS ARE TO TOLERANCES OF +/- 1"
- ALL FITTINGS ARE SUBJECT TO RBP "STANDARD TERMS AND CONDITIONS"

**36" 45° WYE  
PVC SDR35 GASKETED SEWER  
36" x 24" GxGxG**

**ROYAL** Building Products  
royalbuildingproducts.com

56400 Mound Road, Shelby Township, MI 48316  
Phone (800)232-5690 -- Fax (586)781-0888

PRINTED COPIES ARE FOR REFERENCE ONLY

DATE: 5/27/2015 DRAWN BY: RKS

DATE: 5/27/2015 CHECKED BY: RBP

L3036-24.S

CUSTOMER