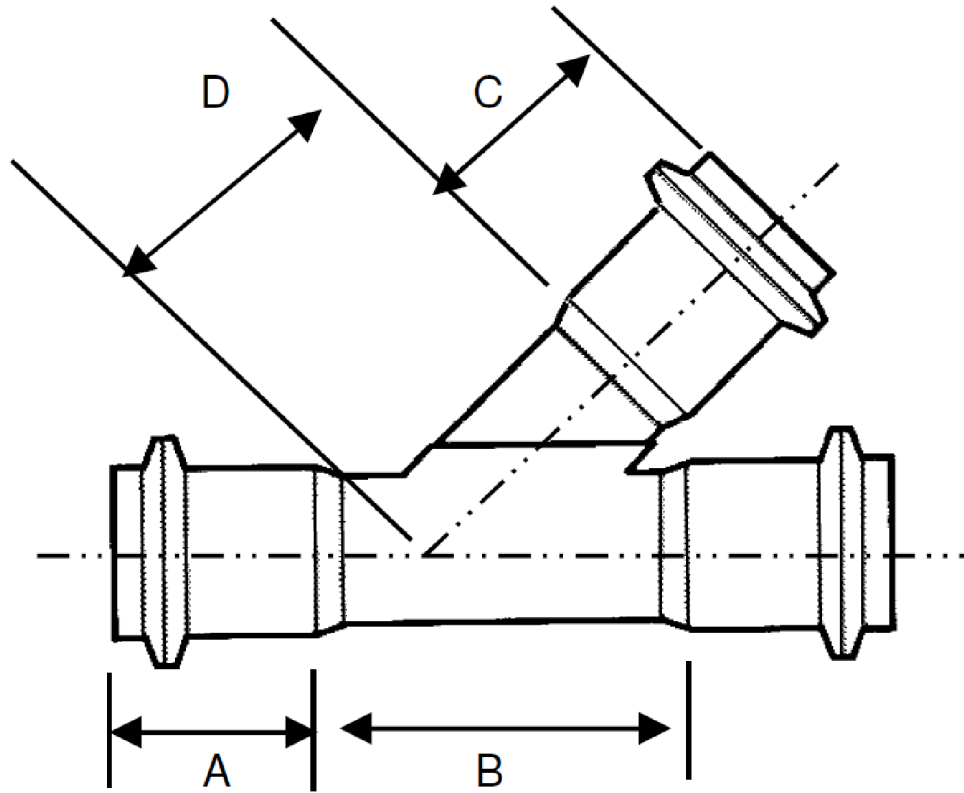


SIGNED DRAWINGS MUST ACCOMPANY PURCHASE ORDER OR DIMENSIONS OF FITTINGS WILL NOT BE GUARANTEED



SIZE	18X15
A	9.25
B	28.75
C	8
D	24.5

DISCLAIMER - PLEASE READ

- DIMENSIONS AND APPEARANCE ARE APPROXIMATE AND SUBJECT TO CHANGE WITHOUT NOTICE DUE TO DESIGN OR PRODUCTION MODIFICATIONS
- ANGLE TOLERANCE FOR ELBOWS IS +/- 2 DEGREES.
- ALL OTHER DIMENSIONS ARE TO TOLERANCES OF +/- 1"
- ALL FITTINGS ARE SUBJECT TO RBP "STANDARD TERMS AND CONDITIONS"

 **ROYAL** Building Products

royalbuildingproducts.com

56400 Mound Road, Shelby Township, MI 48316
Phone (800)232-5690 -- Fax (586)781-0888

**18" 45 DEGREE WYE GxGxG
PVC SDR35 SEWER
18"x 15" GxGxG**

PRINTED COPIES ARE FOR REFERENCE ONLY

DATE: 12/30/2014 DRAWN BY: RKS

DATE: 12/30/2014 CHECKED BY: RBP

L3018-15.S

CUSTOMER