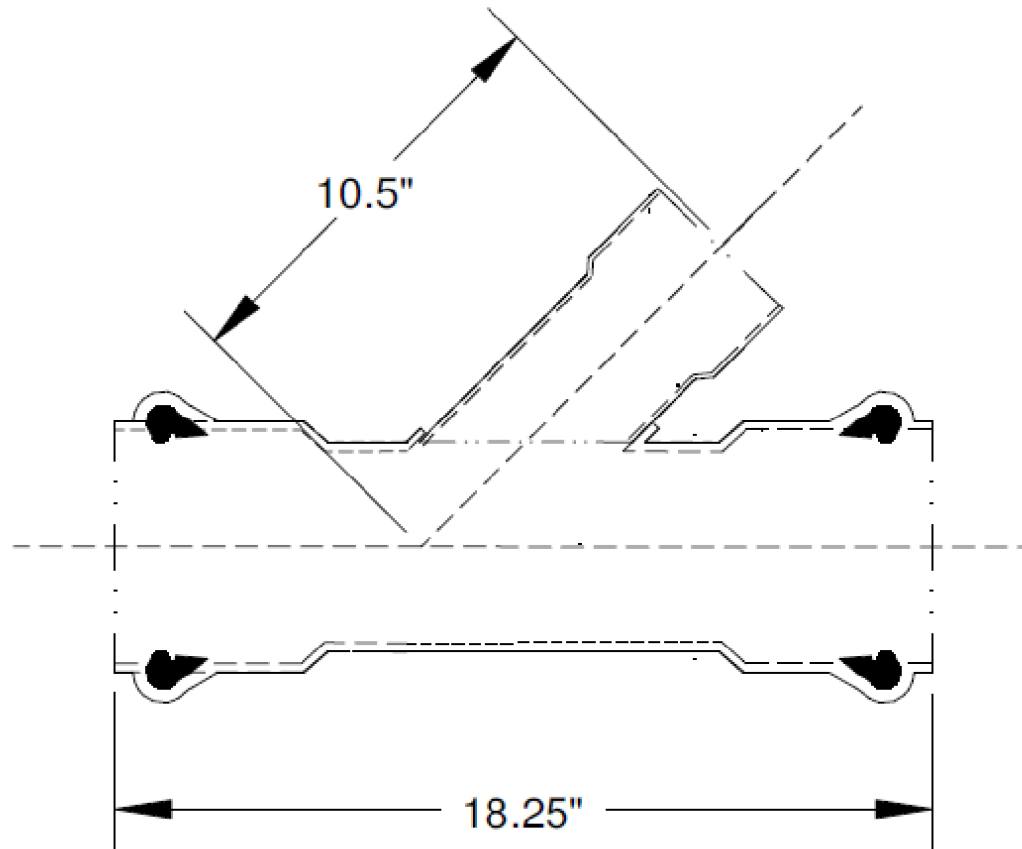


SIGNED DRAWINGS MUST ACCOMPANY PURCHASE ORDER OR DIMENSIONS OF FITTINGS WILL NOT BE GUARANTEED



DISCLAIMER - PLEASE READ

- DIMENSIONS AND APPEARANCE ARE APPROXIMATE AND SUBJECT TO CHANGE WITHOUT NOTICE DUE TO DESIGN OR PRODUCTION MODIFICATIONS
- ANGLE TOLERANCE FOR ELBOWS IS +/- 2 DEGREES.
- ALL OTHER DIMENSIONS ARE TO TOLERANCES OF +/- 1"
- ALL FITTINGS ARE SUBJECT TO RBP "STANDARD TERMS AND CONDITIONS"

 **ROYAL** Building Products

royalbuildingproducts.com

56400 Mound Road, Shelby Township, MI 48316
Phone (800)232-5690 -- Fax (586)781-0888

PRINTED COPIES ARE FOR REFERENCE ONLY

DATE: 10/9/2014 DRAWN BY: AMV

DATE: 10/9/2014 CHECKED BY: RBP

H336-4.S

CUSTOMER

**6" 45 DEGREE WYE WITH DWV BRANCH GxGxDWV H
PVC SDR26 SEWER WITH DWV SW HUB**

6" x 4" GxGxH