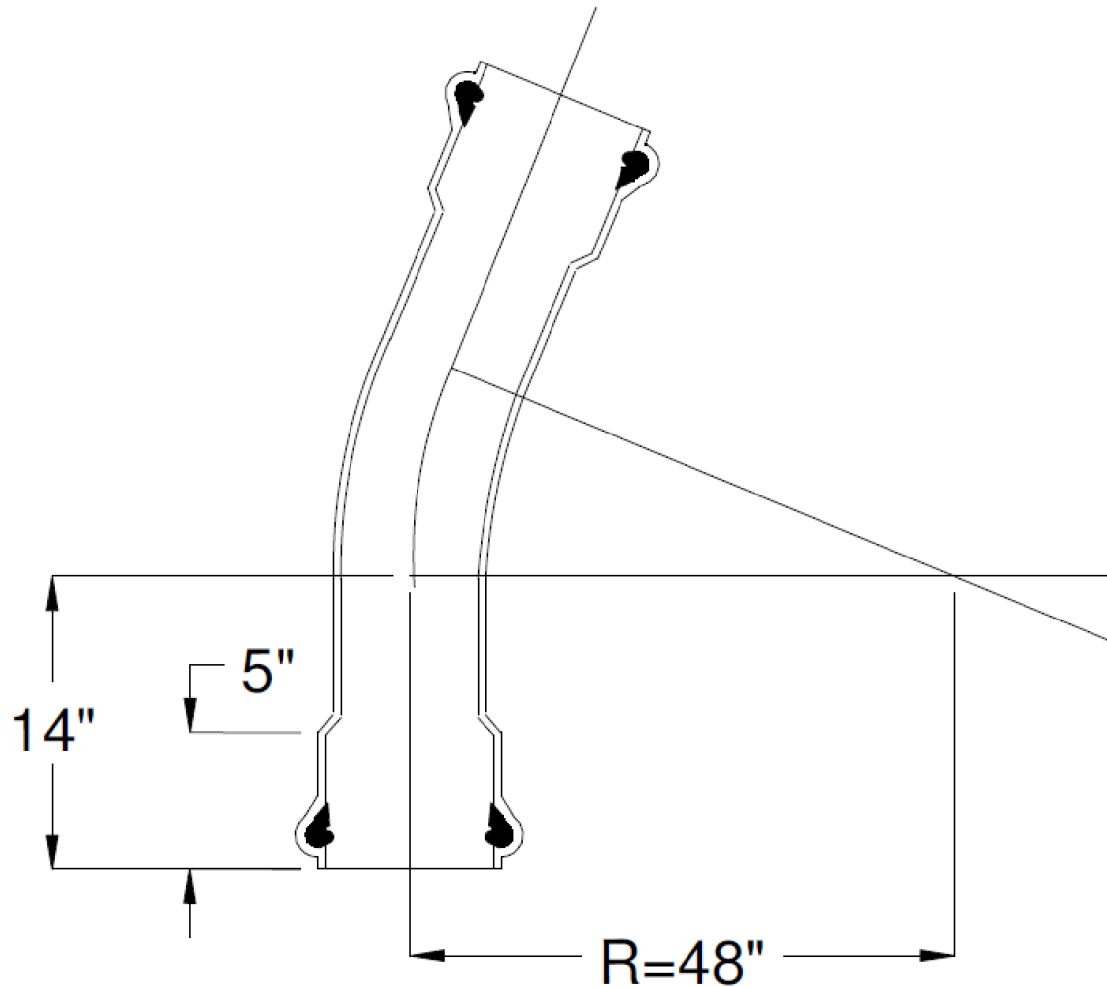


SIGNED DRAWINGS MUST ACCOMPANY PURCHASE ORDER OR DIMENSIONS OF FITTINGS WILL NOT BE GUARANTEED



**DISCLAIMER - PLEASE READ**

- DIMENSIONS AND APPEARANCE ARE APPROXIMATE AND SUBJECT TO CHANGE WITHOUT NOTICE DUE TO DESIGN OR PRODUCTION MODIFICATIONS
- ANGLE TOLERANCE FOR ELBOWS IS +/- 2 DEGREES.
- ALL OTHER DIMENSIONS ARE TO TOLERANCES OF +/- 1"
- ALL FITTINGS ARE SUBJECT TO RBP "STANDARD TERMS AND CONDITIONS"

**ROYAL** Building Products

royalbuildingproducts.com

56400 Mound Road, Shelby Township, MI 48316  
Phone (800)232-5690 -- Fax (586)781-0888

PRINTED COPIES ARE FOR REFERENCE ONLY

DATE: 7/2/2015

DRAWN BY: RKS

DATE: 7/2/2015

CHECKED BY: RBP

L14908.S

CUSTOMER

**8" 1/16 BEND (22.5°) (EXTRA LONG SWEEP RADIUS)  
PVC SDR35 GASKETED SEWER**

**8" x 8" GxG**