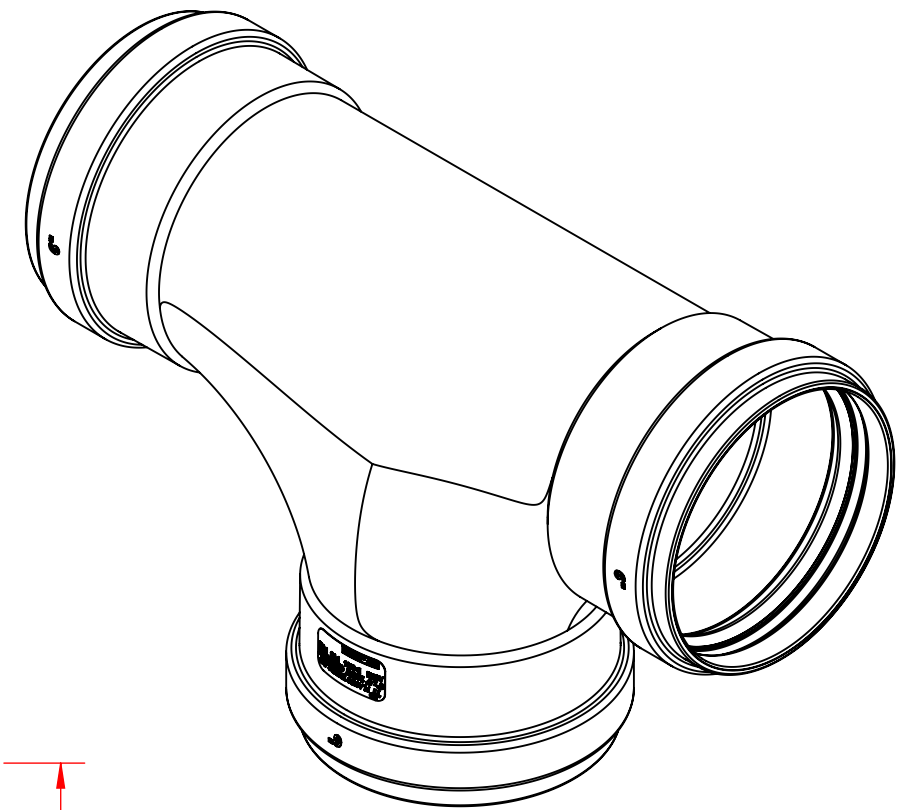


SECTION A-A



6" 2-WAY CLEANOUT ASSEMBLY
PVC SDR35 GASKETED SEWER
6"x 6"x 6" HxHxH

CSA B182.1
 ASTM D3034

NAPCO PIPE & FITTINGS

56400 Mound Road
 Shelby Township, MI 48316
 U.S.A.
 Phone (800) 232-5690 | Fax (586) 781-0888
 CSShelby@napcopipe.com | www.napcopipe.com

REFERENCE ONLY

FILE NAME:

G1006.D03

G1006.A02 MASTER

CUSTOMER